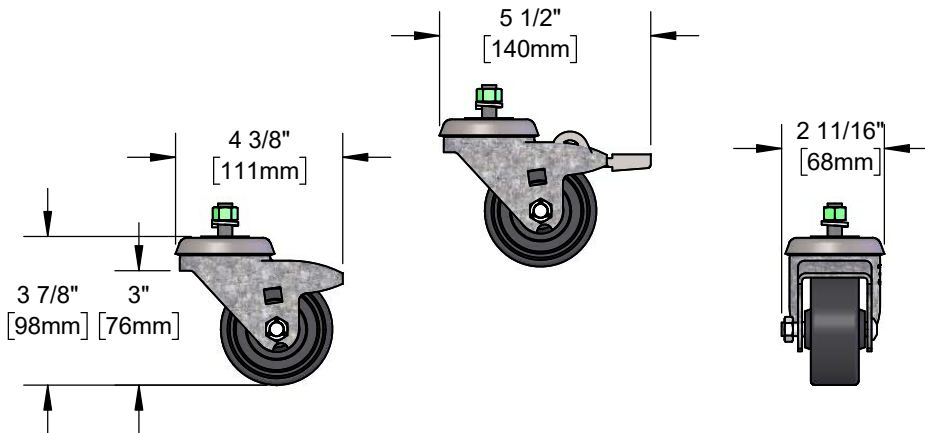
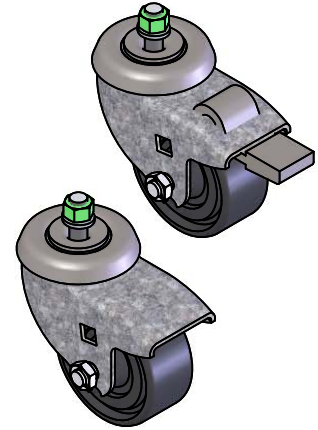




Architect/Engineering Specifications:

3" swivel casters: 2 locking and 2 standard.

Job Name _____
 Model Specified _____ Quantity _____
 Variations Specified _____
 Date _____



Features & Benefits:

- 3" swivel casters
- 2 locking swivel casters
- 2 standard swivel casters

Product Compliance:

- N/A

Warranty: One Year (Limited)

Performance Data:

- N/A

