



Single Lever Faucets

BP-2712-MB

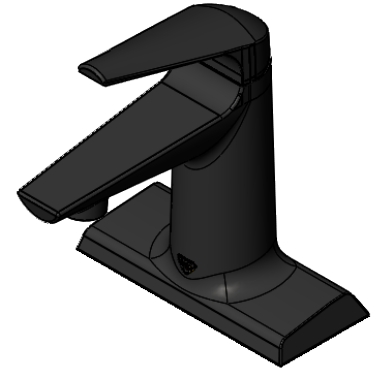
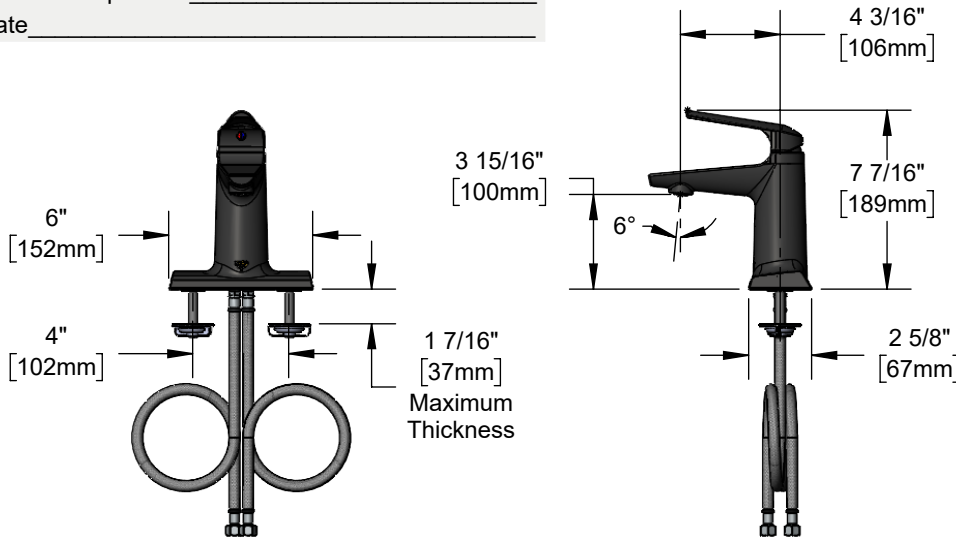
TAG:

LAKECREST Single Lever Faucet

Architect/Engineering Specifications:

4" centerset deck mounted single lever faucet, matte black brass body with integral spout, vandal resistant 0.5 GPM concealed non-aerated spray device, ceramic cartridge, single lever handle and 19" flexible stainless steel supply hoses with 3/8" O.D. compression connections. Certified to ASME A112.18.1/CSA B125.1, NSF 61-Section 9 and NSF 372. Meets ADA ANSI/ICC A117.1 requirements.

Job Name _____
 Model Specified _____ Quantity _____
 Variations Specified _____
 Date _____



Features & Benefits:

- 4" centerset deck mount single lever faucet, matte black brass body w/ integral spout
- VR 0.5 GPM concealed non-aerated spray device
- Single lever handle w/ color-coded index
- Ceramic cartridge
- 19" flexible stainless steel supply hoses w/ 3/8" O.D. compression connections
- Material: Matte black brass body, matte black metal handle and stainless steel hoses

Product Compliance:

- ASME A112.18.1 / CSA B125.1
- NSF 61 - Section 9
- NSF 372 (Low Lead Content)
- ANSI A117.1 (ADA)



Warranty: One Year (Limited)

- Ceramic Cartridge: Two Year (Limited)

Performance Data:

- Pressure: 20 - 125 psi [1.38 - 8.62 bar]
- Temperature: 40 °F - 140 °F [4.44 °C - 60 °C]
- Flow Rate: 0.5 GPM [1.89 L/min] @ 60 psi [4.14 bar]



ADA Compliant

Optional Outlets (M21 Series)

GPM	VR Aerated	VR Non-Aerated (VR Laminar)
0.35	<input type="checkbox"/> N/A	<input type="checkbox"/> B-0199-M21-V035
0.5	<input type="checkbox"/> N/A	Standard
1.0	<input type="checkbox"/> B-0199-M21-V10	<input type="checkbox"/> B-0199-M21-VL10
1.5	<input type="checkbox"/> B-0199-M21-V15	<input type="checkbox"/> B-0199-M21-VL15



T&S BRASS AND BRONZE WORKS, INC.



• 2 Saddleback Cove • Travelers Rest, SC 29690
 Ph 800-476-4103 • Fax 864-834-3518
 • Simi Valley, CA • Ph 800-423-0150 • www.tsbrass.com

Date: 11/27/23