



T&S BRASS AND BRONZE WORKS, INC.
 2 Saddleback Cove / P.O. Box 1088
 Travelers Rest, SC 29690

Model No.
B-1141-2-V15-CR

Item No.

Travelers Rest, SC: 800-476-4103 • Simi Valley, CA: 800-423-0150 • Fax: 864-834-3518 • www.tsbrass.com



ADA Compliant

This Space for Architect/Engineer Approval

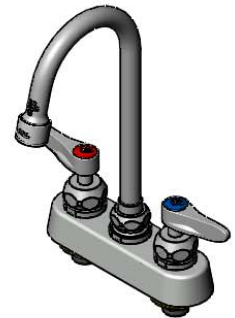
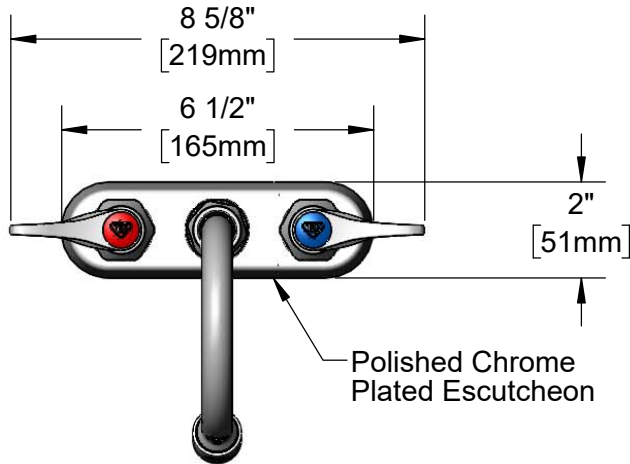
Job Name _____ Date _____

Model Specified _____ Quantity _____

Customer/Wholesaler _____

Contractor _____

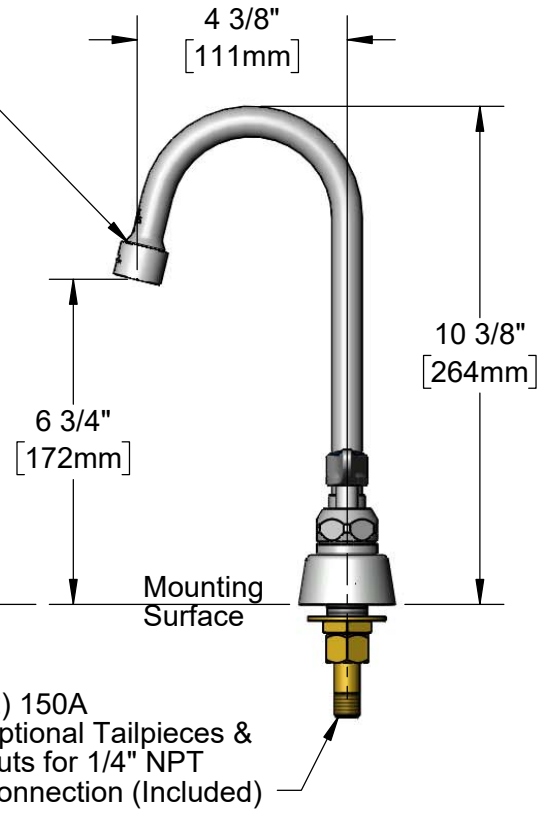
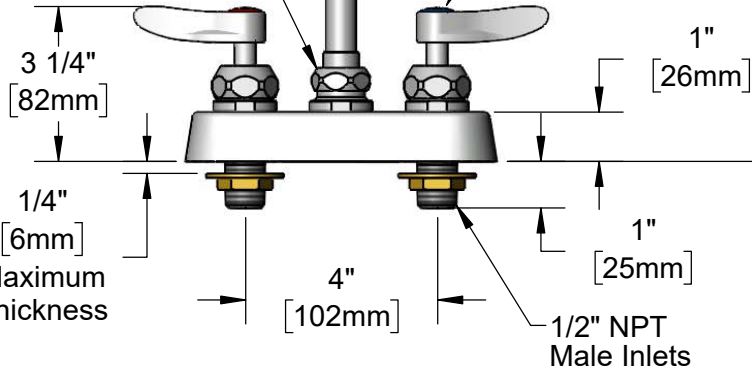
Architect/Engineer _____



Swivel Joint
 Converts to Rigid
 w/ 014200-45
 Lock Washer
 (Included)

179X-V15
 Swivel Gooseneck w/
 VR 1.5 GPM Aerator

Quarter-Turn Cerama
 Cartridges w/ Check
 Valves & Lever Handles
 w/ Color Coded Indexes



Rough-In Requirement:
 (2) \varnothing 1" [25mm] Mounting Holes

Product Specifications:
 4" Deck Mount Workboard Faucet, Quarter-Turn Cerama Cartridges w/ Check Valves, Lever Handles, 4 3/8" Swivel/Rigid Gooseneck, VR 1.5 GPM Aerator & 1/2" NPT Male Inlets

Product Compliance:
 ASME A112.18.1 / CSA B125.1
 NSF 61 - Section 9
 NSF 372 (Low Lead Content)
 ANSI A117.1 (ADA)
 SASO (Saudi Arabia)



T&S BRASS AND BRONZE WORKS, INC.

2 Saddleback Cove / P.O. Box 1088
Travelers Rest, SC 29690

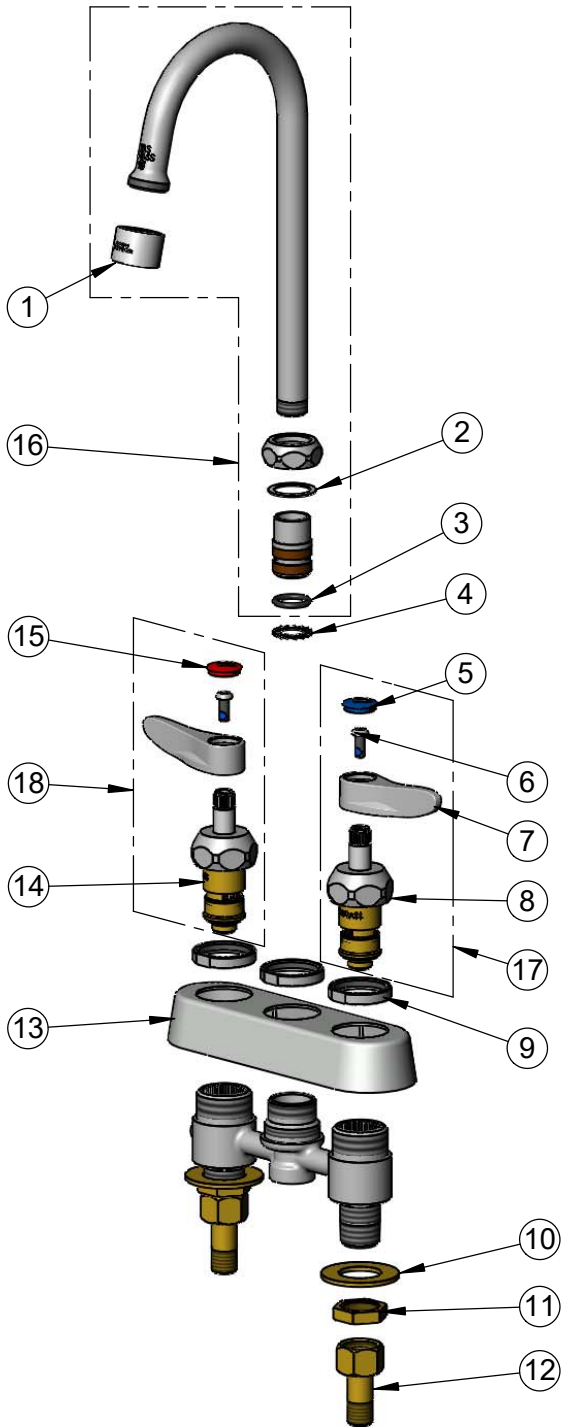
Model No.

B-1141-2-V15-CR

Item No.

Travelers Rest, SC: 800-476-4103 • Simi Valley, CA: 800-423-0150 • Fax: 864-834-3518 • www.tsbrass.com

ITEM NO.	SALES NO.	DESCRIPTION
1	B-0199-06-WS	VR 1.5 GPM Aerator, 55/64-27 UN Female w/ Key
2	009538-45	Swivel Washer
3	001065-45	O-Ring
4	014200-45	Star Washer, Anti-Rotation
5	018506-19NS	Blue Button Index, Press-in
6	000925-45	Lab Handle Screw
7	001638-45NS	Lever Handle (New Style)
8	012395-25NS	Quarter-Turn New Style Cerama Cartridge w/ Check Valve, LTC
9	019376-40	Escutcheon Lock Nut
10	000999-45	Brass Lock Washer
11	002954-45	Shank Lock Nut
12	150A	1/4" NPT Tailpiece & Nut
13	019374-40	B-1110 Eterna Workboard Escutcheon
14	012394-25NS	Quarter-Turn New Style Cerama Cartridge w/ Check Valve, RTC
15	001193-19NS	Red Button Index, Press-in
16	179X-V15	4 3/8" Swivel Gooseneck w/ VR 1.5 GPM Aerator & Key
17	012447-25NS	Quarter-Turn Cerama Cartridge w/ Check Valve, Handle, Blue Index & Screw, LTC
18	012446-25NS	Quarter-Turn Cerama Cartridge w/ Check Valve, Handle, Red Index & Screw, RTC



015425-45
Vandal Resistant Key

Product Specifications:
4" Deck Mount Workboard Faucet, Quarter-Turn Cerama Cartridges w/ Check Valves, Lever Handles, 4 3/8" Swivel/Rigid Gooseneck, VR 1.5 GPM Aerator & 1/2" NPT Male Inlets

Product Compliance:
ASME A112.18.1 / CSA B125.1
NSF 61 - Section 9
NSF 372 (Low Lead Content)
ANSI A117.1 (ADA)
SASO (Saudi Arabia)