



**T&S BRASS AND BRONZE WORKS, INC.**  
 2 Saddleback Cove / P.O. Box 1088  
 Travelers Rest, SC 29690

Model No.

**PJ-108H-CH03**

Item No.

Travelers Rest, SC: 800-476-4103 • Simi Valley, CA: 800-423-0150 • Fax: 864-834-3518 • www.tsbrass.com

This Space for Architect/Engineer Approval

Job Name \_\_\_\_\_ Date \_\_\_\_\_

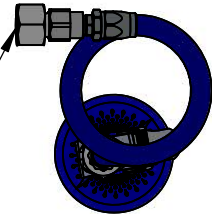
Model Specified \_\_\_\_\_ Quantity \_\_\_\_\_

Customer/Wholesaler \_\_\_\_\_

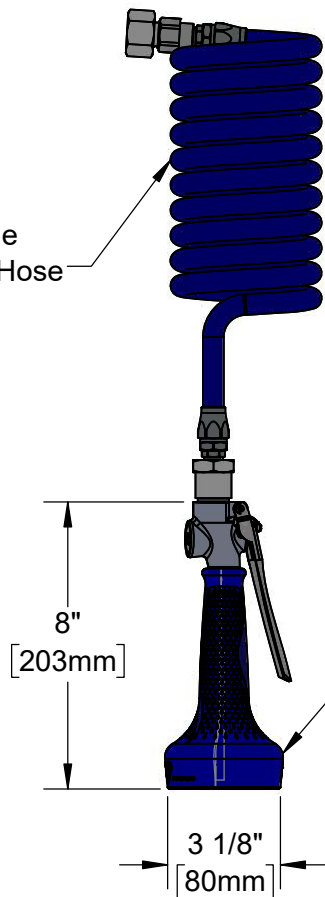
Contractor \_\_\_\_\_

Architect/Engineer \_\_\_\_\_

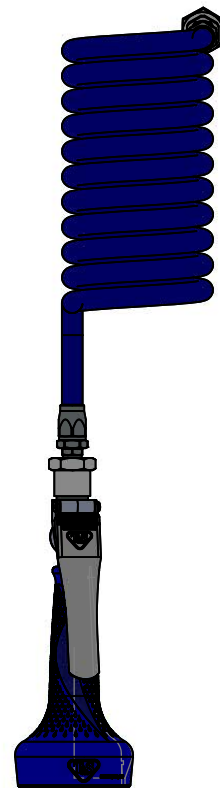
1/2" NPT Female



Polyurethane  
Blue Coiled Hose



EB-0108-H  
Blue High Flow  
Spray Valve



Product Specifications:

High Flow Spray Valve with 9' Polyurethane Coiled Hose  
with 1/2" NPT Female Adapter

Product Compliance:

ASME A112.18.1 / CSA B125.1  
NSF 61 Exempt (Non-Potable)



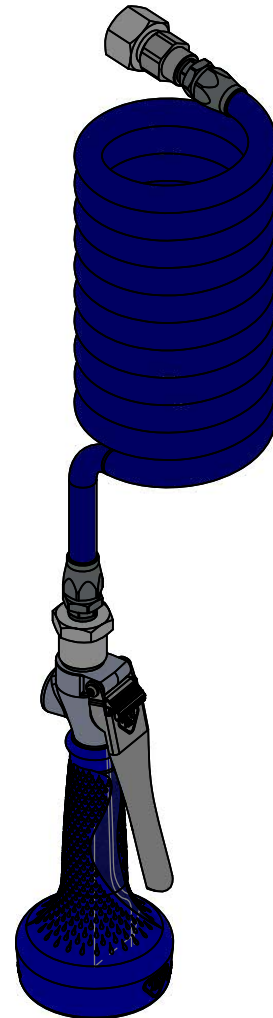
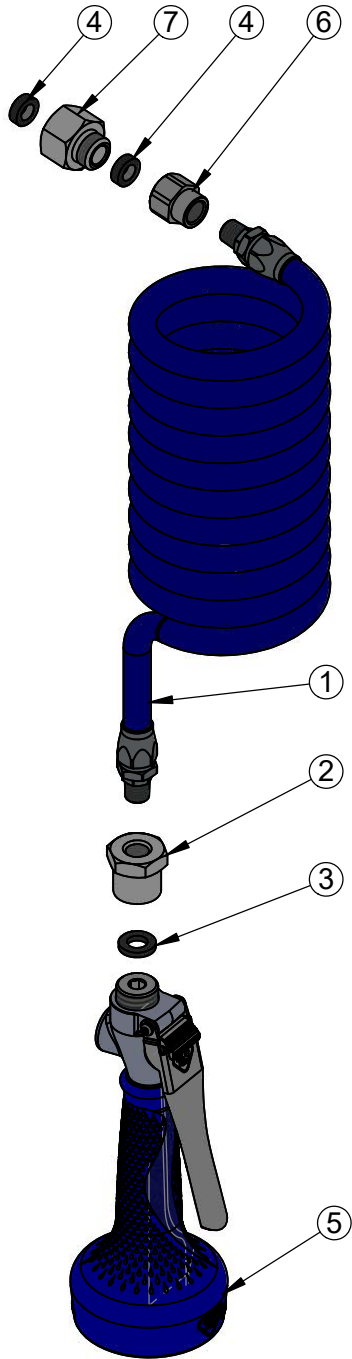
**T&S BRASS AND BRONZE WORKS, INC.**  
 2 Saddleback Cove / P.O. Box 1088  
 Travelers Rest, SC 29690

Model No.  
**PJ-108H-CH03**

Item No.

Travelers Rest, SC: 800-476-4103 • Simi Valley, CA: 800-423-0150 • Fax: 864-834-3518 • www.tsbrass.com

ITEM NO.	SALES NO.	DESCRIPTION
1	013539-45	Blue Polyurethane Hose
2	016145-25	Adapter
3	001014-45	Washer, B-0100 Hose Barrel
4	010476-45	#27 Washer
5	EB-0108-H	High Flow Spray Valve
6	000732-25	Hose Outlet Nut
7	056A	3/4-14 Male x 1/2" NPT Female



Product Specifications:  
 High Flow Spray Valve with 9' Polyurethane Coiled Hose  
 with 1/2" NPT Female Adapter

Product Compliance:  
 ASME A112.18.1 / CSA B125.1  
 NSF 61 Exempt (Non-Potable)