



T&S BRASS AND BRONZE WORKS, INC.

2 Saddleback Cove / P.O. Box 1088
Travelers Rest, SC 29690

Model No.

B-0296-18DJ-CKP

Item No.

Travelers Rest, SC: 800-476-4103 • Simi Valley, CA: 800-423-0150 • Fax: 864-834-3518 • www.tsbrass.com



ADA Compliant

This Space for Architect/Engineer Approval

Job Name _____ Date _____

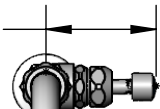
Model Specified _____ Quantity _____

Customer/Wholesaler _____

Contractor _____

Architect/Engineer _____

3 7/16"
[87mm]



BF-0178-A
18" Big-Flo
Double Joint
Nozzle w/
Plain End Outlet

Lever Handle w/
Blue (CW) Color
Index

5/8"
[16mm]
Maximum
Thickness

1 7/16"
[37mm]

6 1/2"
[165mm]

12"
[305mm]

Swivel Joint

Swivel Joint

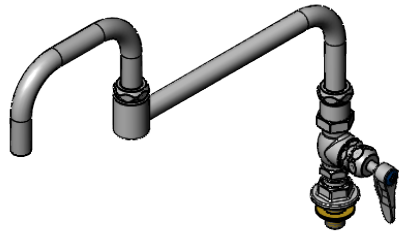
11 9/16"
[294mm]

9 1/4"
[235mm]

2 9/16"
[65mm]

15 3/4"
[400mm]

Ø 2" [51mm]
Flange w/
1/2" NPT
Male Inlet



Rough-In Requirement:
Ø 1" [25mm] Mounting Hole

Product Specifications:

Single Hole Single Temperature Big-Flo Valve Faucet w/ Lever Handle, 18"
Big-Flo Double Joint Nozzle w/ Plain End Outlet & 1/2" NPT Male Inlet

Product Compliance:

ASME A112.18.1 / CSA B125.1
NSF 61 - Section 9
NSF 372 (Low Lead Content)
ANSI A117.1 (ADA)



T&S BRASS AND BRONZE WORKS, INC.

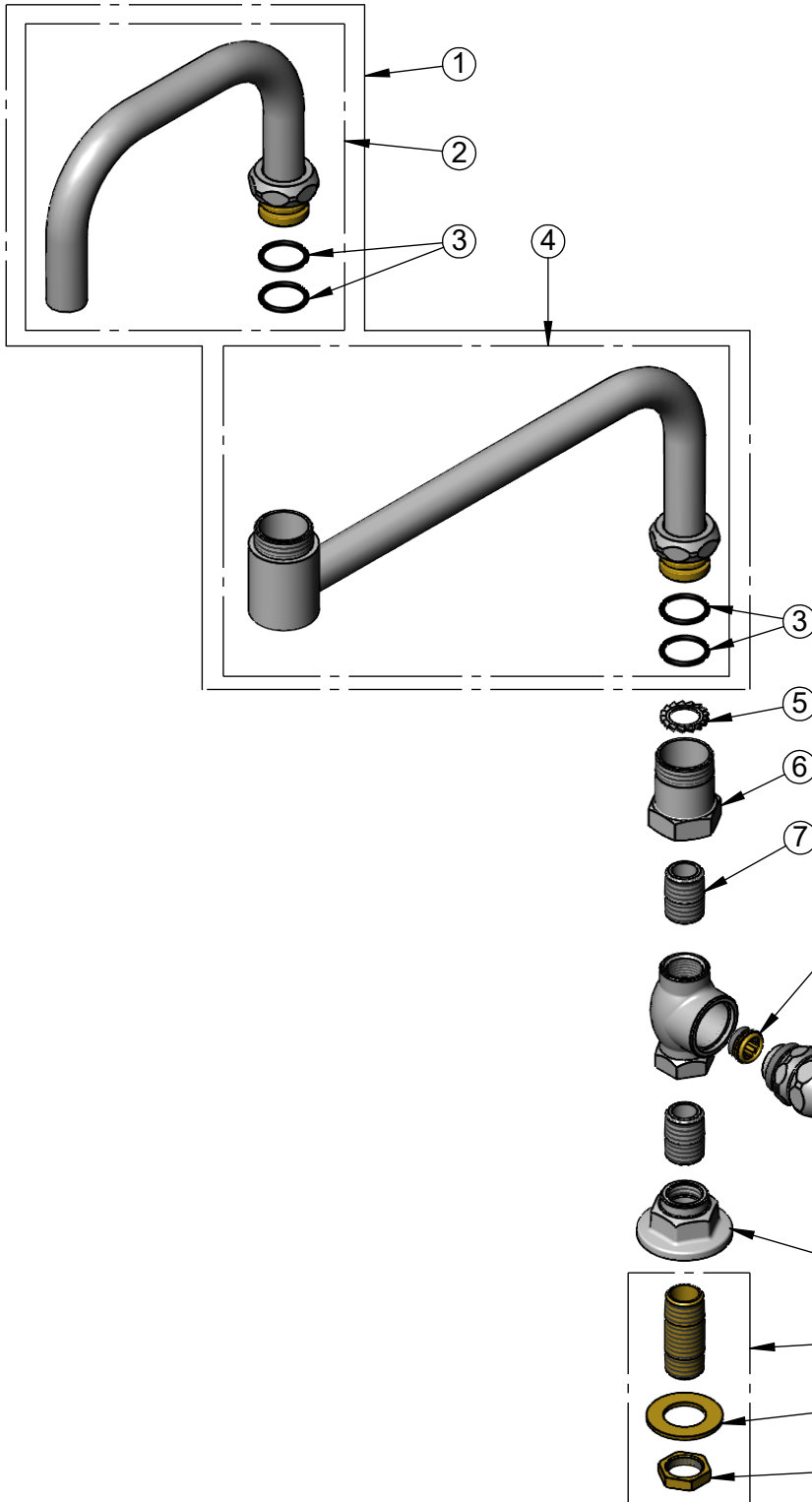
2 Saddleback Cove / P.O. Box 1088
Travelers Rest, SC 29690

Model No.

B-0296-18DJ-CKP

Item No.

Travelers Rest, SC: 800-476-4103 • Simi Valley, CA: 800-423-0150 • Fax: 864-834-3518 • www.tsbrass.com



| ITEM NO. | SALES NO. | DESCRIPTION |
|----------|-------------|--|
| 1 | BF-0178-A | Big-Flo 18" Double Joint Swing Nozzle |
| 2 | BF-0153-X | Big-Flo 18" Double Joint, 6" Front Section |
| 3 | 001068-45 | O-ring |
| 4 | 118X | Big-Flo 18" Double Joint, 12" Back Section |
| 5 | 016807-45 | Serrated Lock Washer |
| 6 | 000594-25 | Swivel Body x 1/2-14 NPT |
| 7 | 002534-25 | Close Nipple, 1/2" NPT |
| 8 | 000764-20 | Seat, Big-Flo |
| 9 | 006482-40NS | Big-Flo Spindle, RTC |
| 10 | 001638-45NS | Lever Handle (New Style) |
| 11 | 000925-45 | Lab Handle Screw |
| 12 | 018506-19NS | Blue Button Index, Press-in |
| 13 | B-0445 | 1" Faucet Inlet Extension |
| 14 | B-0425 | 1/2" NPT Supply Nipple Kit |
| 15 | 000999-45 | Brass Lock Washer |
| 16 | 002954-45 | Shank Lock Nut |

Product Specifications:

Single Hole Single Temperature Big-Flo Valve Faucet w/ Lever Handle, 18" Big-Flo Double Joint Nozzle w/ Plain End Outlet & 1/2" NPT Male Inlet

Product Compliance:

ASME A112.18.1 / CSA B125.1
NSF 61 - Section 9
NSF 372 (Low Lead Content)
ANSI A117.1 (ADA)