



Backflow Preventers

S-0970-FEZ

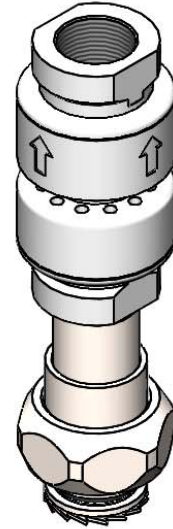
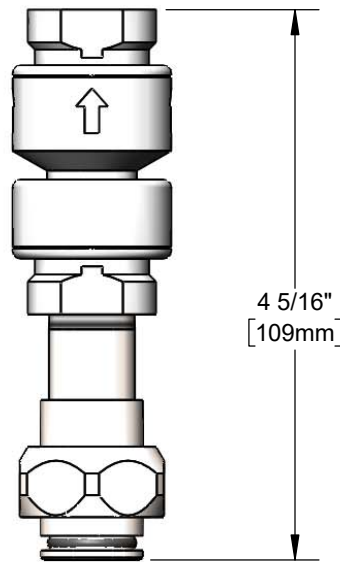
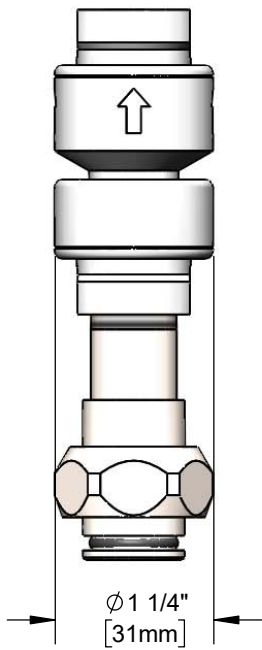
TAG:

Easy Install Dual Check Vacuum Breaker

Architect/Engineering Specifications:

In-line continuous pressure dual check vacuum breaker with intermediate vent, polished chrome plated body, 2" stainless steel riser with stainless steel connection components, 3/8" NPT female outlet and quick installation inlet. Certified to ASME A112.18.1/CSA B125.1, NSF 61-Section 9, NSF 372 and CSA B64.8.

Job Name _____
 Model Specified _____ Quantity _____
 Variations Specified _____
 Date _____



Features & Benefits:

- In-line 3/8" continuous pressure dual check vacuum breaker w/ polished chrome plated body
- 3/8" NPT female Inlet and outlet
- EasyInstall quick installation inlet for stainless steel T&S swivel faucet
- Lock washer for rigid conversion included
- Design prevents back siphonage of contaminated water
- Material: Polished chrome plated vacuum breaker body with stainless steel riser, swivel nut & swivel bushing

Product Compliance:

- ASME A112.18.1 / CSA B125.1
- NSF 61 - Section 9
- NSF 372 (Low Lead Content)
- CSA B64.8 (VB)



Warranty: One Year (Limited)

Performance Data:

- Pressure: 20 - 125 psi [1.38 - 8.62 bar]
- Temperature: 40 °F - 140 °F [4.44 °C - 60 °C]
- Flow Rate: 7.27 GPM [27.52 L/min] @ 60 psi [4.14 bar]



T&S BRASS AND BRONZE WORKS, INC.



• 2 Saddleback Cove • Travelers Rest, SC 29690
 Ph 800-476-4103 • Fax 864-834-3518
 • Simi Valley, CA • Ph 800-423-0150 • www.tsbrass.com

Date: 09/15/21