



**T&S BRASS AND BRONZE WORKS, INC.**  
 2 Saddleback Cove / P.O. Box 1088  
 Travelers Rest, SC 29690

Model No.  
**B-0831-02-PA**

Item No.

Travelers Rest, SC: 800-476-4103 • Simi Valley, CA: 800-423-0150 • Fax: 864-834-3518 • www.tsbrass.com



**ADA Compliant**

This Space for Architect/Engineer Approval

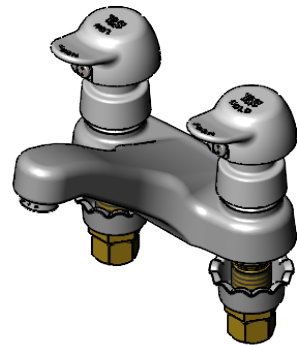
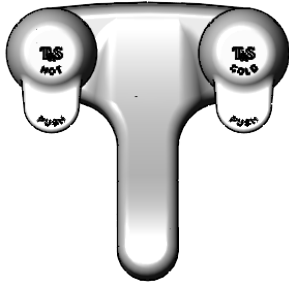
Job Name \_\_\_\_\_ Date \_\_\_\_\_

Model Specified \_\_\_\_\_ Quantity \_\_\_\_\_

Customer/Wholesaler \_\_\_\_\_

Contractor \_\_\_\_\_

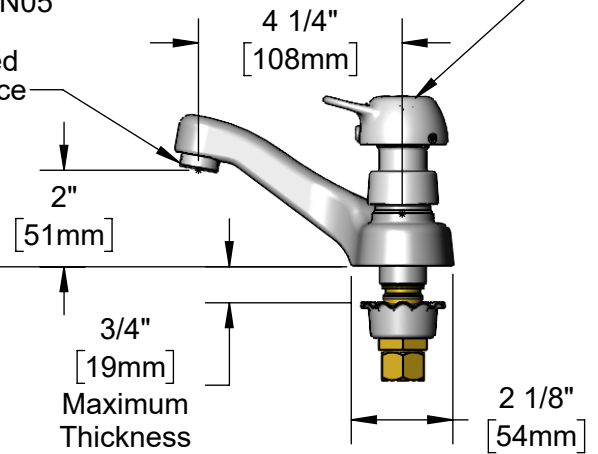
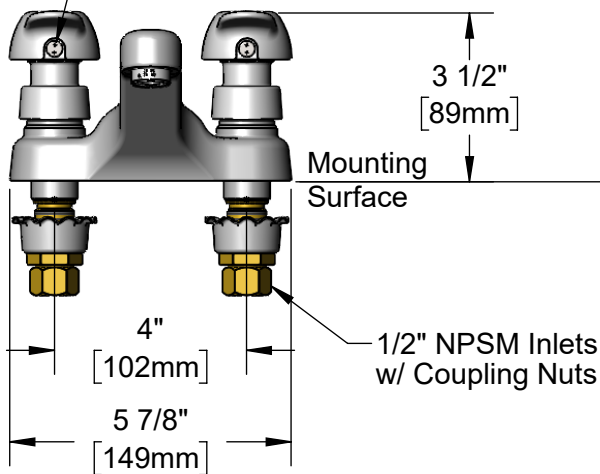
Architect/Engineer \_\_\_\_\_



Loosen Vandal Resistant Screw (Do Not Remove) and Flip Handle Up to Access Metering Adjustment Screw. (Requires 3/32" Hex Key)

Pivot Action Metering Cartridges w/ Hot & Cold Handles and Vandal Resistant Screws (Spanner Bit Included)

B-0199-03-N05  
 0.5 GPM  
 Non-Aerated  
 Spray Device



Rough-In Requirement:  
 (2)  $\phi$  1 1/8" [29mm] Mounting Holes

Product Specifications:  
 4" Centerset Deck Mount Mixing Faucet w/ Pivot Action Metering Cartridges,  
 0.5 GPM Non-Aerated Spray Device & 1/2" NPSM Shank Inlets w/  
 Coupling Nuts

Product Compliance:  
 ASME A112.18.1 / CSA B125.1  
 NSF 61 - Section 9  
 NSF 372 (Low Lead Content)  
 ANSI A117.1 (ADA)



# T&S BRASS AND BRONZE WORKS, INC.

2 Saddleback Cove / P.O. Box 1088  
Travelers Rest, SC 29690

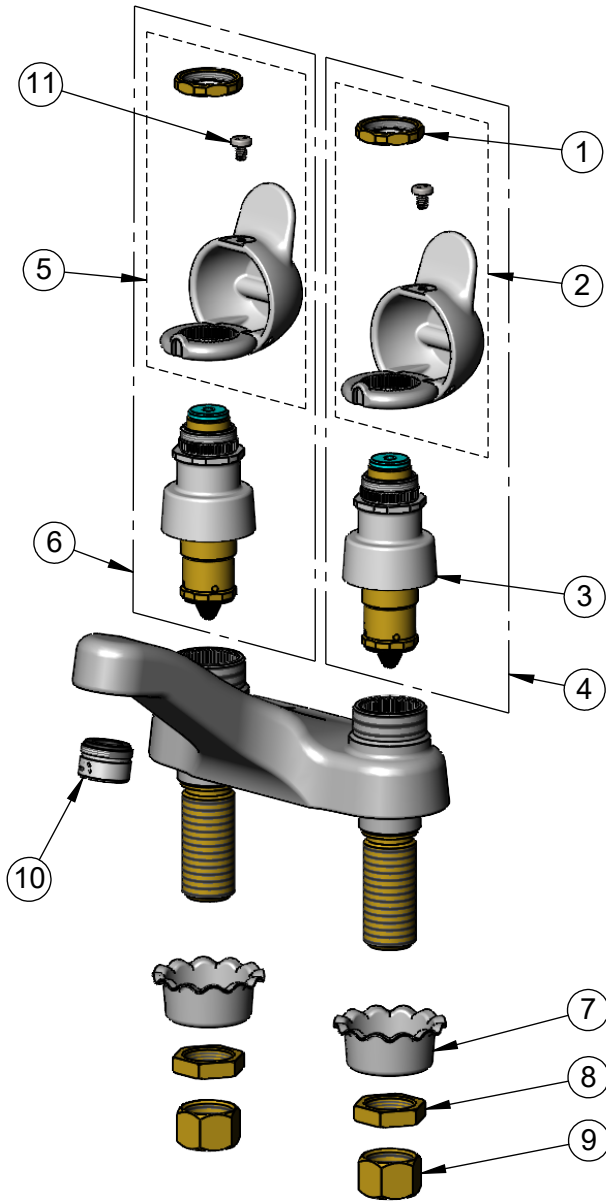
Model No.

**B-0831-02-PA**

Item No.

Travelers Rest, SC: 800-476-4103 • Simi Valley, CA: 800-423-0150 • Fax: 864-834-3518 • www.tsbrass.com

ITEM NO.	SALES NO.	DESCRIPTION
1	PA-N	Retaining Nut
2	PA-C	Cold Pivot Action Handle Asm. w/ Spanner Bit
3	238A-PA	Pivot Action Metering Cartridge w/ Retaining Nut
4	238AC-PA	Pivot Action Metering Cartridge w/ Cold PA Handle & Spanner Bit
5	PA-H	Hot Pivot Action Handle Asm. w/ Spanner Bit
6	238AH-PA	Pivot Action Metering Cartridge w/ Hot PA Handle & Spanner Bit
7	001000-45	Rosette Washer
8	002954-45	Shank Lock Nut
9	000958-20	Coupling Nut
10	B-0199-03-N05	0.5 GPM Spray Device, 13/16-27 Male
11	016654-45	Vandal Resistant SS Screw



Spanner Bit for  
Vandal Resistant Screw  
014734-45

**Product Specifications:**

4" Centerset Deck Mount Mixing Faucet w/ Pivot Action Metering Cartridges, 0.5 GPM Non-Aerated Spray Device & 1/2" NPSM Shank Inlets w/ Coupling Nuts

**Product Compliance:**

ASME A112.18.1 / CSA B125.1  
NSF 61 - Section 9  
NSF 372 (Low Lead Content)  
ANSI A117.1 (ADA)