

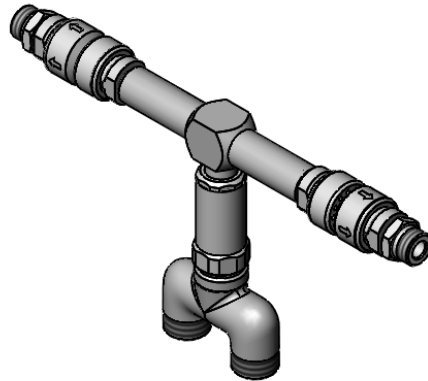


T&S BRASS AND BRONZE WORKS, INC.
 2 Saddleback Cove / P.O. Box 1088
 Travelers Rest, SC 29690

Model No.
017212-40

Item No.

Travelers Rest, SC: 800-476-4103 • Simi Valley, CA: 800-423-0150 • Fax: 864-834-3518 • www.tsbrass.com



This Space for Architect/Engineer Approval

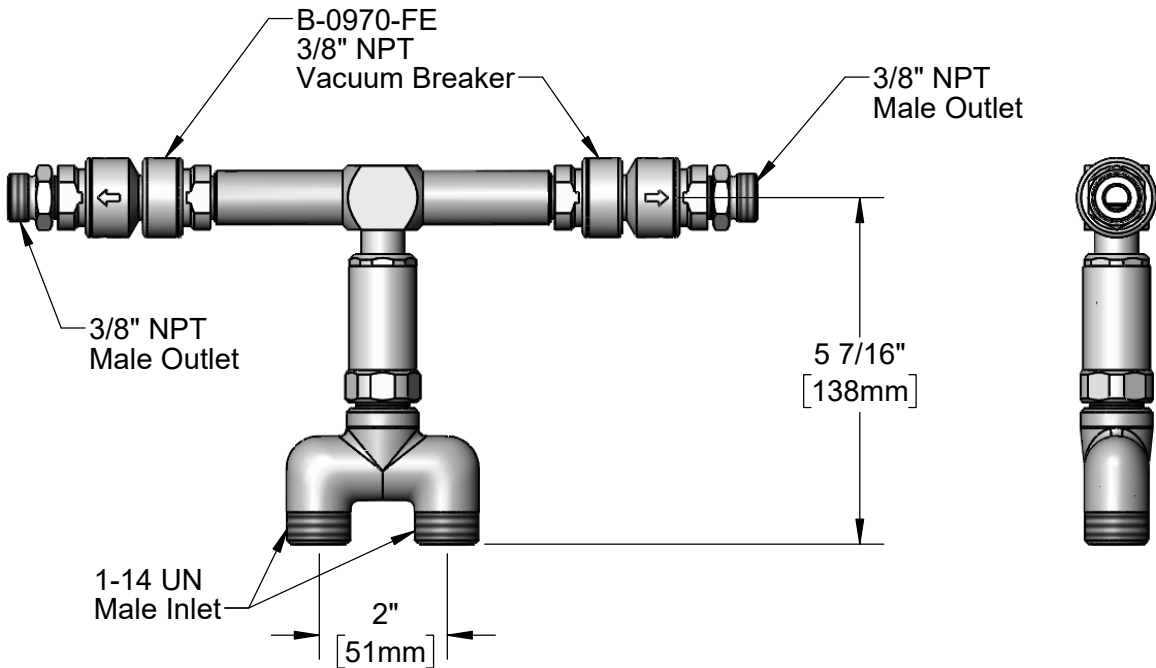
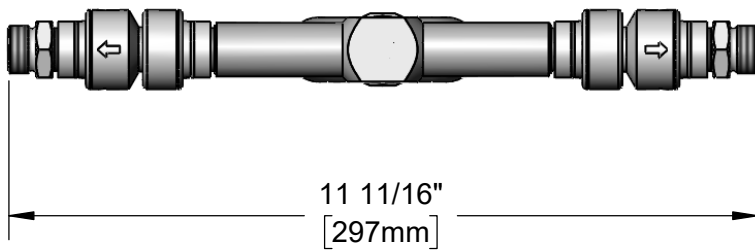
Job Name _____ Date _____

Model Specified _____ Quantity _____

Customer/Wholesaler _____

Contractor _____

Architect/Engineer _____



Product Specifications:
 "Y" Fitting & Vacuum Breaker Swivel Tee

Product Compliance:
 ASME A112.18.1 / CSA B125.1
 NSF 61 - Section 9
 NSF 372 (Low Lead Content)
 CSA B64.8 (VB)



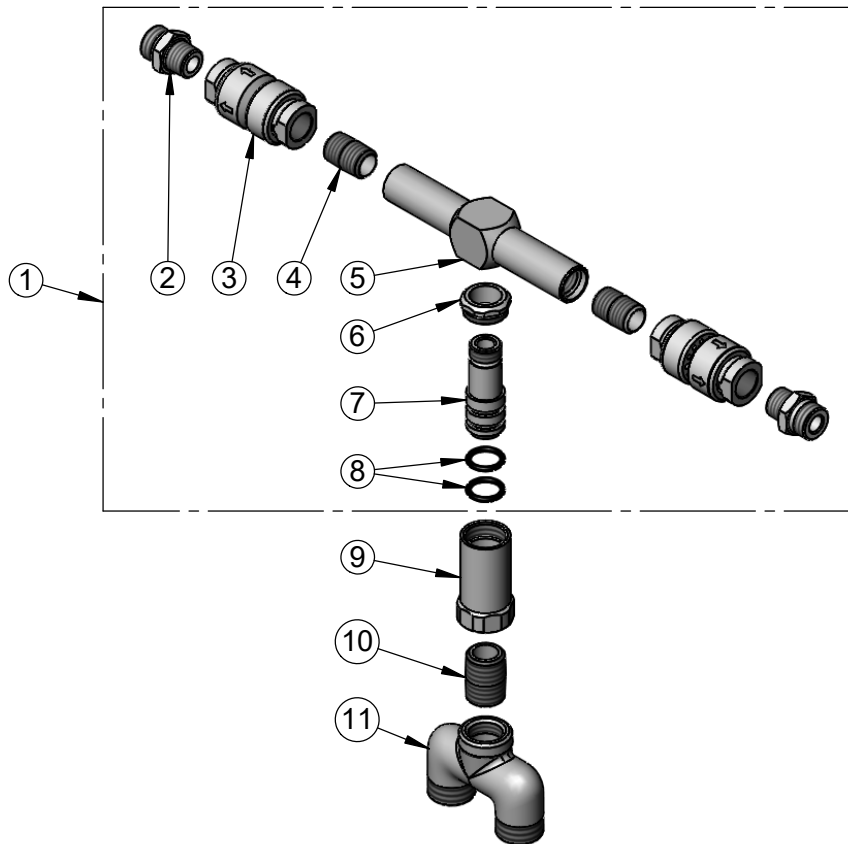
T&S BRASS AND BRONZE WORKS, INC.
 2 Saddleback Cove / P.O. Box 1088
 Travelers Rest, SC 29690

Model No.
017212-40

Item No.

Travelers Rest, SC: 800-476-4103 • Simi Valley, CA: 800-423-0150 • Fax: 864-834-3518 • www.tsbrass.com

ITEM NO.	SALES NO.	DESCRIPTION
1	009177-40	Swivel Tee w/ (2) 3/8" NPT Vacuum Breakers
2	053A	Adapter, 3/8" NPT Male
3	B-0970-FE	3/8" NPT Vacuum Breaker
4	002535-25	3/8" Close Nipple
5	B-2331-TEE	Swivel Tee, Kettle Kaddy
6	000735-40	Swivel Nut
7	000839-25	Swivel Stem, 3/8 NPT
8	001074-45	O-Ring
9	000592-25	Pre-Rinse 1/2" Swivel Body
10	002534-25	Close Nipple, 1/2" NPT
11	000175-40	"Y" Yoke Body, 1/2" NPT Female



Product Specifications:
 "Y" Fitting & Vacuum Breaker Swivel Tee

Product Compliance:
 ASME A112.18.1 / CSA B125.1
 NSF 61 - Section 9
 NSF 372 (Low Lead Content)
 CSA B64.8 (VB)