



White Panel Flange with Serrated Tip

Architect/Engineering Specifications:

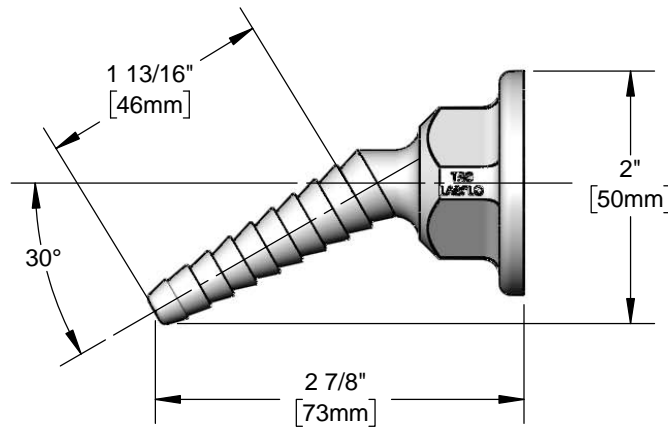
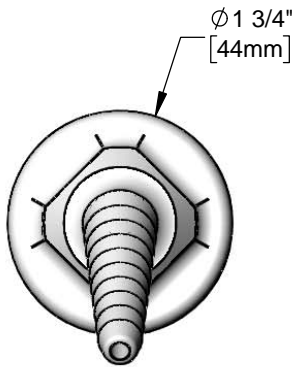
White polypropylene panel flange for purified water (DI, Distilled or RO) with serrated tip and 3/8" NPT female inlet. Certified to ASME A112.18.1/CSA B125.1.

Job Name _____

Model Specified _____ Quantity _____

Variations Specified _____

Date _____



Features & Benefits:

- Polypropylene panel flange with serrated tip
- Color coded white for purified water (DI, Distilled or RO)
- 3/8" NPT female inlet
- Material: Polypropylene

Product Compliance:

- ASME A112.18.1 / CSA B125.1



Warranty: One Year (Limited)

Performance Data:

- Pressure: 25-125 psi
- Temperature: 40 °F - 140 °F
- Flow Rate: TBD

