



# T&S BRASS AND BRONZE WORKS, INC.

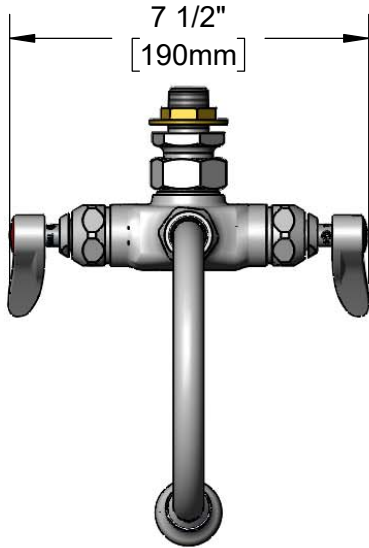
2 Saddleback Cove / P.O. Box 1088  
Travelers Rest, SC 29690

Model No.

**B-0816**

Item No.

Travelers Rest, SC: 800-476-4103 • Simi Valley, CA: 800-423-0150 • Fax: 864-834-3518 • www.tsbrass.com



**ADA Compliant**

This Space for Architect/Engineer Approval

Job Name \_\_\_\_\_ Date \_\_\_\_\_

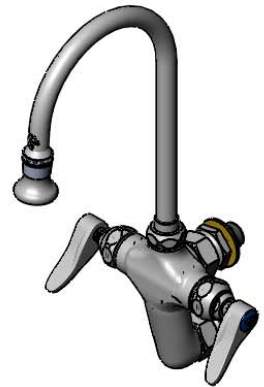
Model Specified \_\_\_\_\_ Quantity \_\_\_\_\_

Customer/Wholesaler \_\_\_\_\_

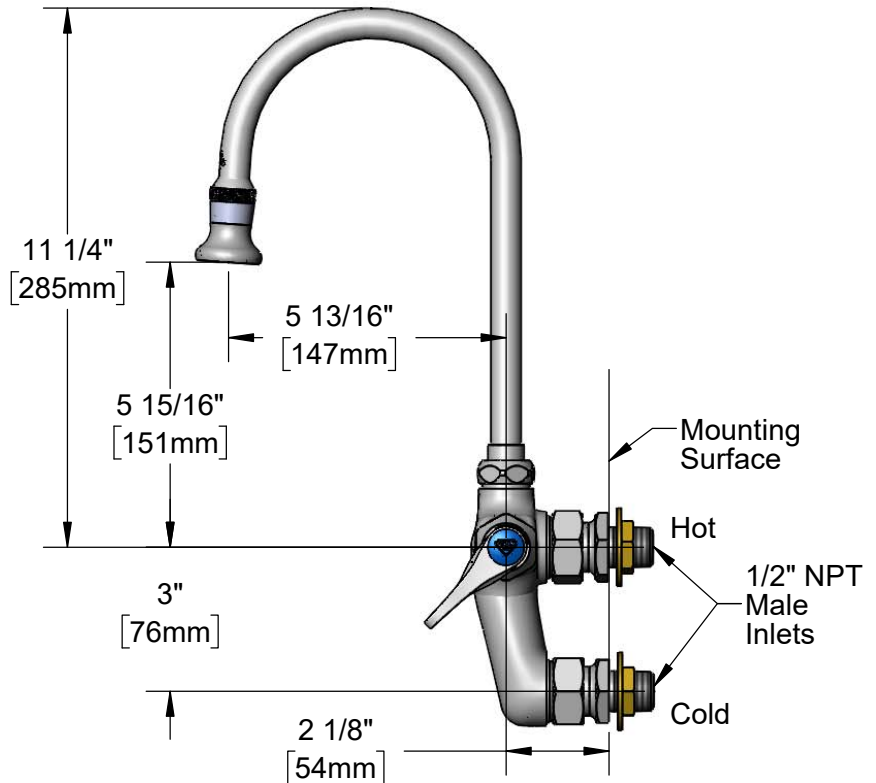
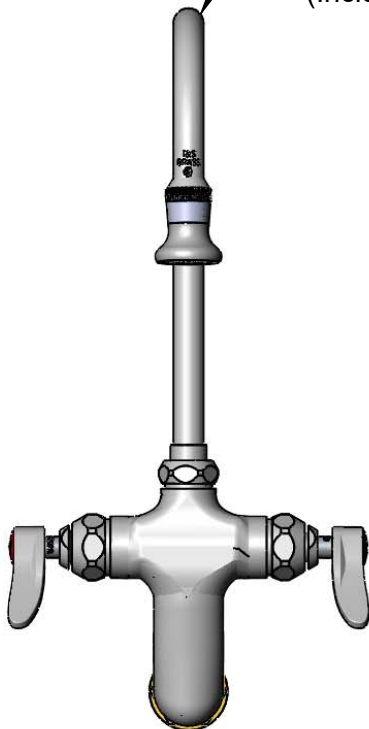
Contractor \_\_\_\_\_

Architect/Engineer \_\_\_\_\_

Quarter-Turn  
Eterna Cartridge w/  
Spring Check &  
Lever Handles and  
Color Coded Indexes



5 13/16" Swivel Gooseneck w/  
2.2 GPM Rosespray Outlet.  
Rigid Conversion Requires  
014200-45 Lock Washer  
(Included)



Rough-In Requirement:  
(2) 1" [25mm] Mounting Holes

**Product Specifications:**

Wall Mount Vertical Mixing Faucet w/ Quarter-Turn Eterna Cartridges w/  
Spring Checks, 5 13/16" Rigid/Swivel Gooseneck w/ 2.2 GPM  
Rosespray Outlet, Lever Handles and 1/2" NPT Male Inlets

**Product Compliance:**

ASME A112.18.1 / CSA B125.1  
NSF 61 - Section 9  
NSF 372 (Low Lead Content)  
ANSI A117.1 (ADA)



# T&S BRASS AND BRONZE WORKS, INC.

2 Saddleback Cove / P.O. Box 1088  
Travelers Rest, SC 29690

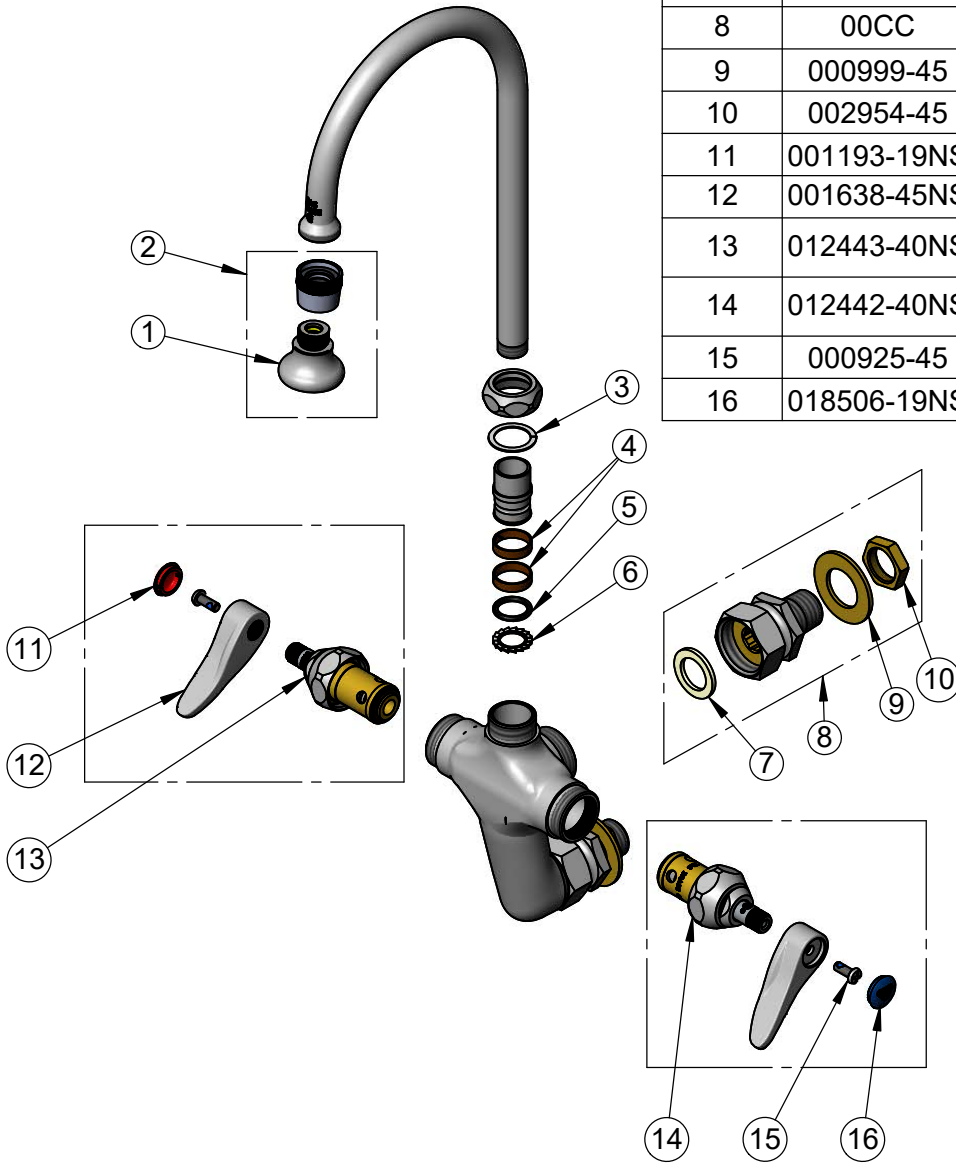
Model No.

**B-0816**

Item No.

Travelers Rest, SC: 800-476-4103 • Simi Valley, CA: 800-423-0150 • Fax: 864-834-3518 • www.tsbrass.com

ITEM NO.	SALES NO.	DESCRIPTION
1	B-0103	2.2 GPM Rosespray, 3/8"-18 NPT Male
2	B-0103-01	2.2 GPM Rosespray, 55/64-27 UN Female
3	009538-45	Swivel Washer
4	011429-45	Swivel Sleeves (2)
5	001074-45	O-Ring
6	014200-45	Star Washer, Anti-Rotation
7	001019-45	Coupling Nut Washer
8	00CC	1/2" NPT Male Inlet Flange
9	000999-45	Brass Lock Washer
10	002954-45	Shank Lock Nut
11	001193-19NS	Red Button Index, Press-in
12	001638-45NS	Lever Handle (New Style)
13	012443-40NS	Quarter-Turn Eterna Cartridge w/ Spring Check, RTC
14	012442-40NS	Quarter-Turn Eterna Cartridge w/ Spring Check, LTC
15	000925-45	Lab Handle Screw
16	018506-19NS	Blue Button Index, Press-in



**Product Specifications:**

Wall Mount Vertical Mixing Faucet w/ Quarter-Turn Eterna Cartridges w/ Spring Checks, 5 13/16" Rigid/Swivel Gooseneck w/ 2.2 GPM Rosespray Outlet, Lever Handles and 1/2" NPT Male Inlets

**Product Compliance:**

ASME A112.18.1 / CSA B125.1  
NSF 61 - Section 9  
NSF 372 (Low Lead Content)  
ANSI A117.1 (ADA)