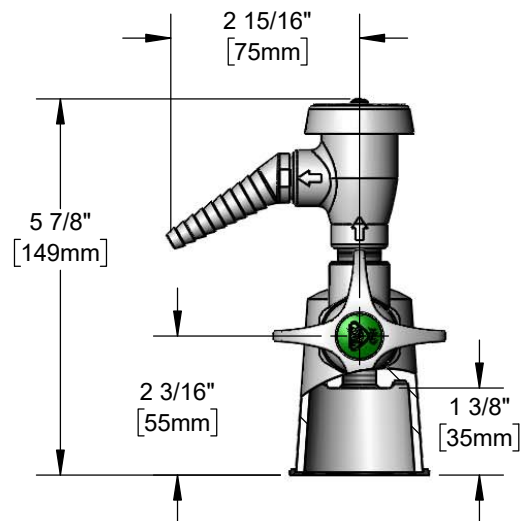
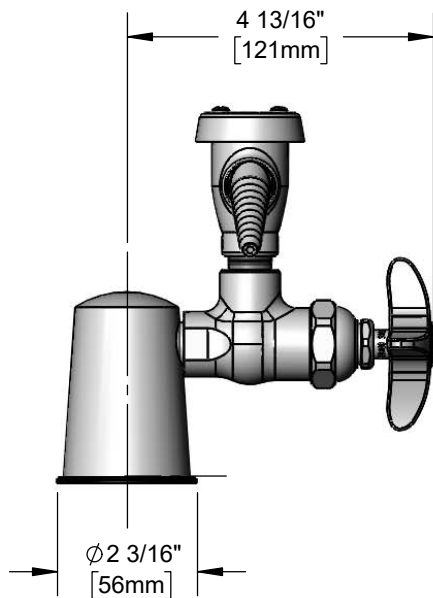
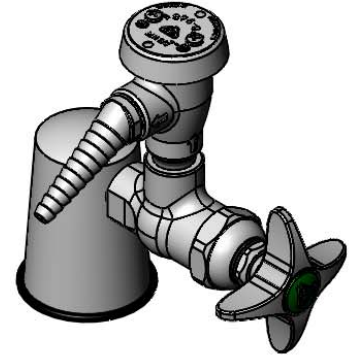




Architect/Engineering Specifications:

Ball valve hose cock with polished chrome plated brass body and handle, single angled serrated tip water outlet, vacuum breaker and 3/8" NPT female inlet. Certified to ASME A112.18.1/CSA B125.1, NSF 61- Section 9, NSF 372 and ASSE 1001. Meets ADA ANSI/ICC A117.1 requirements.

Job Name _____
 Model Specified _____ Quantity _____
 Variations Specified _____
 Date _____



Features & Benefits:

- Laboratory turret with polished chrome plated brass body
- Single angled serrated tip water outlet, fits 1/4" to 3/8" I.D. hoses
- Atmospheric vacuum breaker
- 3/8" NPT female inlet in base
- Black plastic base gasket
- Material: Polished chrome plated brass body & chrome plated metal handle

Product Compliance:

- ASME A112.18.1 / CSA B125.1
- NSF 61 - Section 9
- NSF 372 (Low Lead Content)
- ASSE 1001 (VB)
- ANSI A117.1 (ADA)

Warranty: One Year (Limited)

Performance Data:

- Pressure: 20 - 125 psi [1.38 - 8.62 bar]
- Temperature: 40°F - 140°F [4.44°C - 60°C]
- Flow Rate: TBD GPM @ 60 psi [4.14 bar]



ADA Compliant

