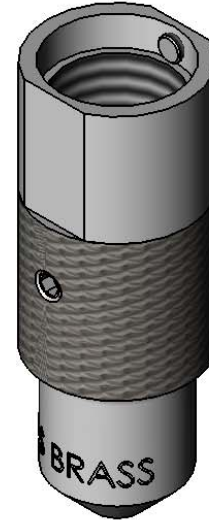
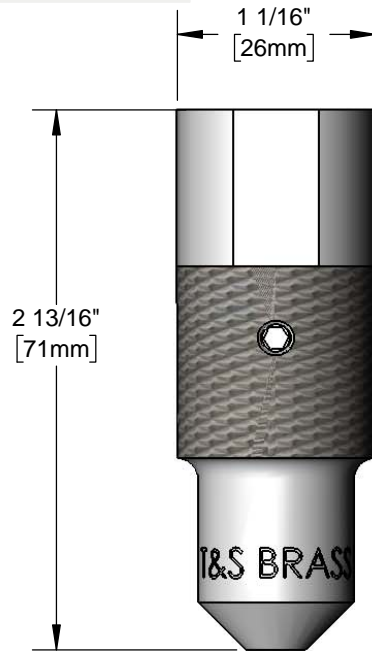




Architect/Engineering Specifications:

Chrome plated brass vandal resistant shower head with 1/2" NPT female inlet and set screws.

Job Name _____
 Model Specified _____ Quantity _____
 Variations Specified _____
 Date _____



Features & Benefits:

- Chrome plated brass vandal resistant shower head
- 1/2" NPT female inlet
- (2) 8-32 UN male set screws (included)
- Material: Chrome plated brass

Product Compliance:

- NSF 61 Exempt (Non-Potable)

Warranty: One Year (Limited)

Performance Data:

- N/A

