



T&S BRASS AND BRONZE WORKS, INC.
 2 Saddleback Cove / P.O. Box 1088
 Travelers Rest, SC 29690

Model No.
B-2992-P

Item No.

Travelers Rest, SC: 800-476-4103 • Simi Valley, CA: 800-423-0150 • Fax: 864-834-3518 • www.tsbrass.com

This Space for Architect/Engineer Approval

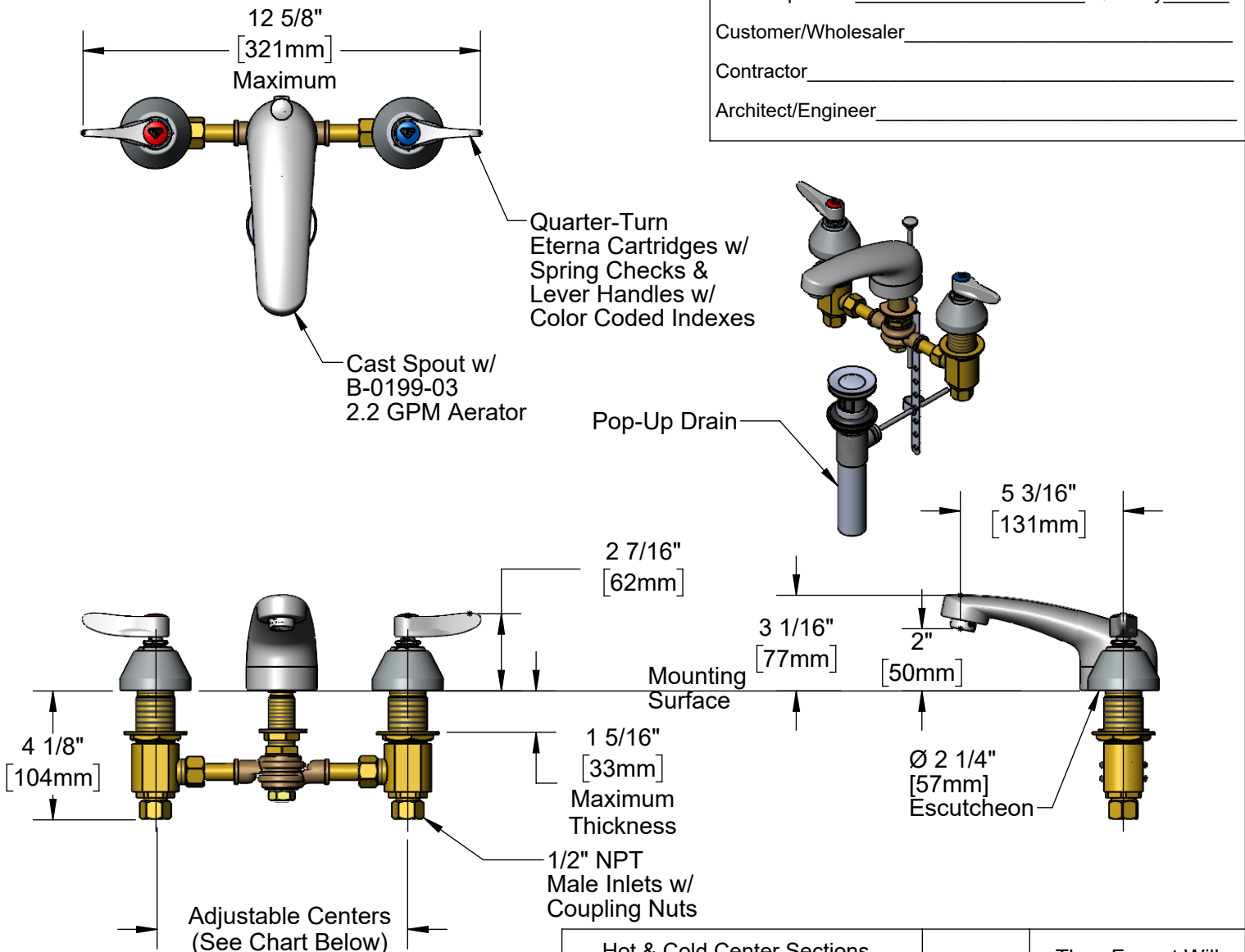
Job Name _____ Date _____

Model Specified _____ Quantity _____

Customer/Wholesaler _____

Contractor _____

Architect/Engineer _____



Rough-In Requirement:
 Center Shank: ϕ 1" [ϕ 25mm] Mounting Hole
 Hot/Cold Bodies: ϕ 1 1/2" [ϕ 38mm] Mounting Holes
 Pop-Up Drain: Fits Sinks With ϕ 1 7/16" [37mm] to ϕ 1 3/4" [44mm] Drain Hole

Hot & Cold Center Sections Can be at Angle		
Hot	Spout	Cold
Y		
X		
	if "Y" is	Then Faucet Will Fit "X" with Standard 1/4" NPT Cross Pipes Furnished
	1/2"	8"
	1"	7 3/4"
	1 1/2"	7 3/8"
	2"	7"

Product Specifications:
 8" Concealed Widespread Mixing Faucet, Quarter-Turn Eterna Cartridges w/ Spring Checks, Lever Handles, Cast Spout w/ 2.2 GPM Aerator & 1/2" NPT Male Inlets w/ Coupling Nuts and Pop-Up Drain

Product Compliance:
 ASME A112.18.1 / CSA B125.1
 NSF 61 - Section 9
 NSF 372 (Low Lead Content)



T&S BRASS AND BRONZE WORKS, INC.

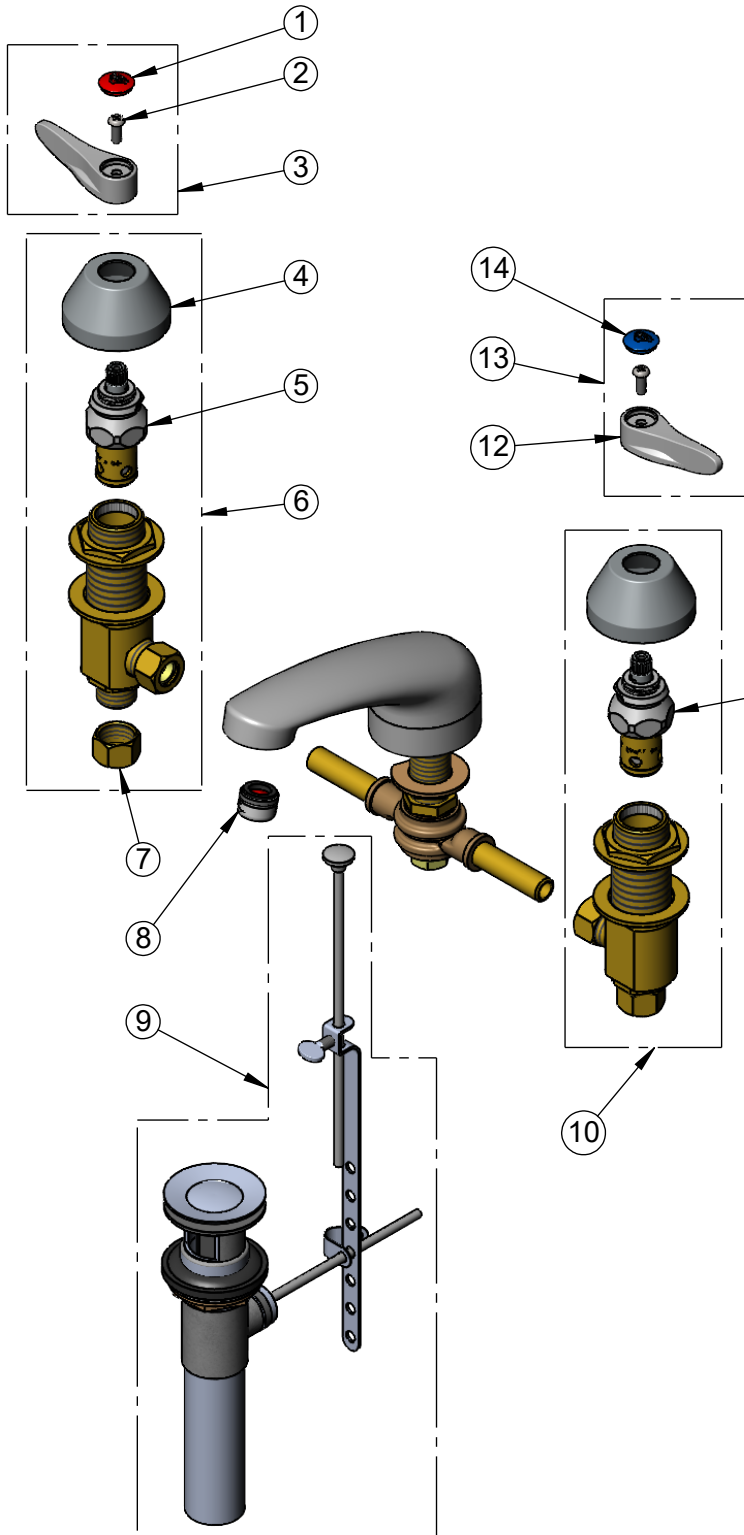
2 Saddleback Cove / P.O. Box 1088
Travelers Rest, SC 29690

Model No.

B-2992-P

Item No.

Travelers Rest, SC: 800-476-4103 • Simi Valley, CA: 800-423-0150 • Fax: 864-834-3518 • www.tsbrass.com



ITEM NO.	SALES NO.	DESCRIPTION
1	001193-19NS	Red Button Index, Press-in
2	000925-45	Lab Handle Screw
3	001637-45NS	Lever Handle, Red Index & Screw
4	001257-40NS	Bell Escutcheon
5	006478-40NS	CWS Quarter-Turn Eterna Cartridge w/ Spring Check, RTC
6	162A-NS	B-0850 New Style Side Body - Hot
7	000958-20	Coupling Nut
8	B-0199-03	2.2 GPM Aerator
9	B-0898	Pop-Up Drain
10	161A-NS	B-0850 New Style Side Body - Cold
11	006477-40NS	CWS Quarter-Turn Eterna Cartridge w/ Spring Check, LTC
12	001638-45NS	Lever Handle (New Style)
13	001636-45NS	Lever Handle, Blue Index & Screw
14	018506-19NS	Blue Button Index, Press-in

Product Specifications:

8" Concealed Widespread Mixing Faucet, Quarter-Turn Eterna Cartridges w/ Spring Checks, Lever Handles, Cast Spout w/ 2.2 GPM Aerator & 1/2" NPT Male Inlets w/ Coupling Nuts and Pop-Up Drain

Product Compliance:

ASME A112.18.1 / CSA B125.1
NSF 61 - Section 9
NSF 372 (Low Lead Content)