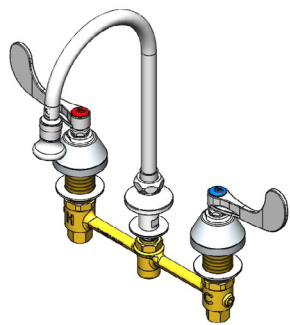




EasyInstall™

**8" FIXED CENTER
CONCEALED
WIDESPREAD
B-2300, B-2800,
B-2900 SERIES**
Patent # 7,472,434



**Installation and
Maintenance
Instructions**

**Limited One Year Warranty
(Commercial Applications)**

T&S warrants to the original purchaser (other than for purposes of resale) that such product is free from defects in material and workmanship for a period of one (1) year from the date of purchase. During this one-year warranty period, if the product is found to be defective, T&S shall, at its options, repair and/or replace it. To obtain warranty service, products must be returned to...

T&S Brass and Bronze Works, Inc.
Attn: Warranty Repair Department
2 Saddleback Cove
Travelers Rest, SC 29690

Shipping, freight, insurance, and other transportation charges of the product to T&S and the return of repaired or replaced product to the purchaser are the responsibility of the purchaser. Repair and/or replacement shall be made within a reasonable time after receipt by T&S of the returned product. This warranty does not cover items which have received secondary finishing or have been altered or modified after purchase, or for defects caused by physical abuse to or misuse of the product, or shipment of the products.

Any express warranty not provided herein, and any remedy for Breach of Contract which might arise, is hereby excluded and disclaimed. Any implied warranties of merchantability or fitness for a particular purpose are limited to one year in duration. Under no circumstances shall T&S be liable for loss of use or any special consequential costs, expenses or damages.

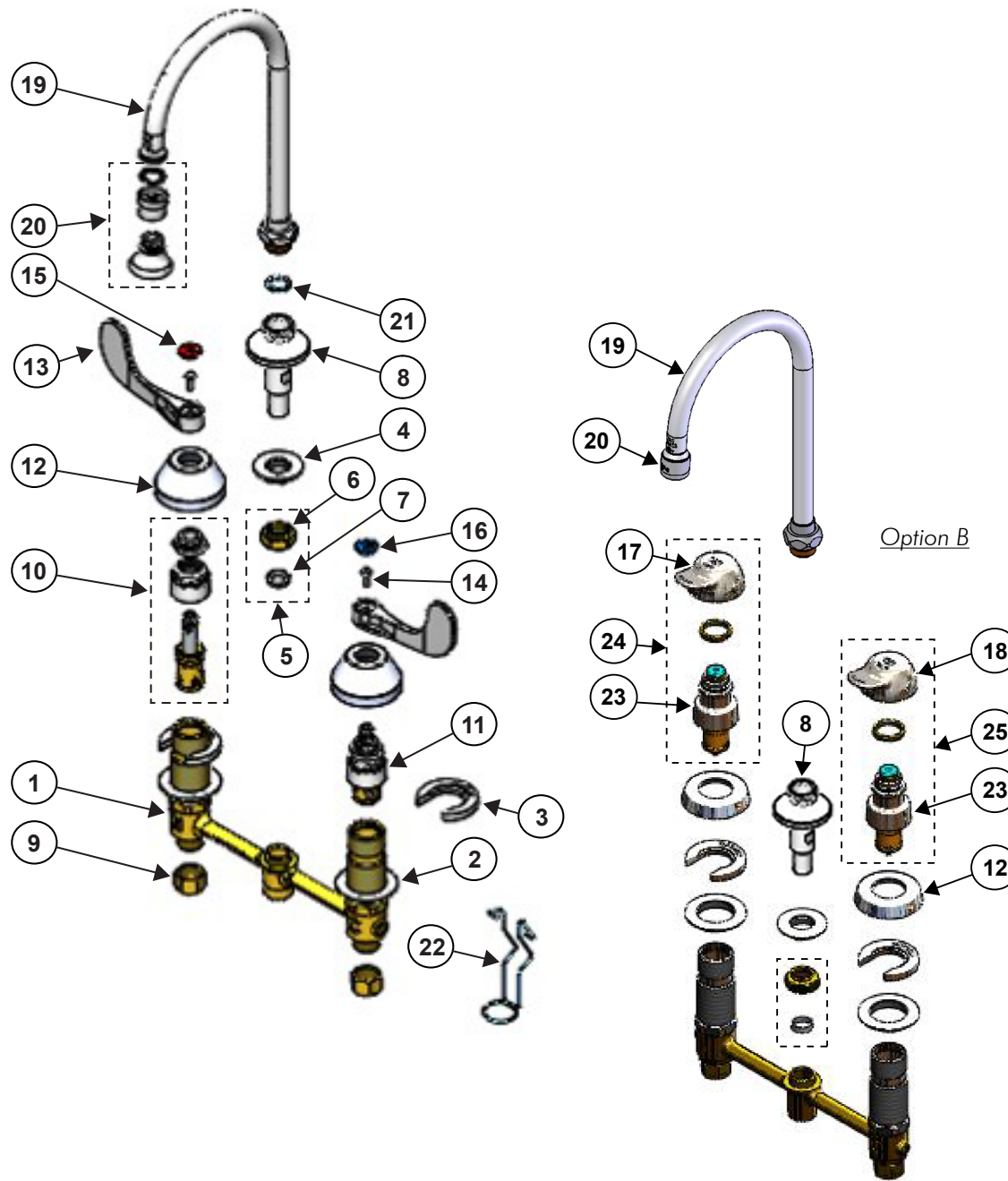
Some states do not allow limitations on how long and implied warranty lasts or the exclusion or limitation of incidental or consequential damages, so the above limitations or exclusions may not apply to you. Specific rights under this warranty and other rights vary from state to state.

⚠ Attention California Residents:

WARNING This product can expose you to chemicals including Lead, Chromium (hexavalent compounds) and Phthalates (DEHP) which are known to the State of California to cause cancer and birth defects or other reproductive harm.

For more information go to
www.P65Warnings.ca.gov.

P/N: 098-016898-45 Rev.3
DATE: 11-08-2010
DRAWN: TED
CHECKED: JRM 08-04-2020
APPROVED: JHB 08-11-2020



Option B: Contains low-profile escutcheons to accommodate push button metering, pivot action metering, fast self-close and wrist action metering.

Parts List

Base Faucet Assembly

1	Base Faucet Assembly	N/A
2	Side Flange Nut	N/A
3	C-Washer	016749-45
4	Center Flange Nut	016742-45
5	Compression & Nut Fitting	016745-45
6	Compression Nut	N/A
7	Compression Fitting	N/A
8	Center Shank, Swivel	016754-40NS
9	Coupling Nut	000958-20
12	Escutcheons:	
	Escutcheons, Bell	001257-40NS
	Escutcheons, Metering	017292-45 Opt.B
19	Swivel Goosenecks	Inquire w/ T&S
20	Aerators:	
	55/64-27 Female Threads	B-0199-01
	3/8" NPSM Male Threads	B-0199-02
	13/16-27 Male Threads	B-0199-03
	Stream Regulator, Plain	B-LT
	Stream Regulator w/ Screen	B-PT
	Rosespray	B-0103-01
	Sidespray & Hose Assembly	001495-45
21	Star Washer, Anti-Rotation	014200-45
22	Hanger	016777-45

Cartridge Assemblies

10	Cartridge Only, Eterna w/ Spring Checks RTC	016753-40NS
	Cartridge Only, Cerama w/ Check Valves RTC	016767-25NS
11	Cartridge Only, Eterna w/ Spring Checks LTC	016752-40NS
	Cartridge Only, Cerama w/ Check Valves LTC	016768-25NS
23	Push Button Metering Cartridge (shown)	238A Opt.B
	Wrist Action Metering Cartridge	012449-40 Opt.B
24	Pivot Action Metering - Hot (shown)	238AH-PA Opt.B
	Push Button Metering - Hot	238AH Opt.B
25	Pivot Action Metering - Cold (shown)	238AC-PA Opt.B
	Push Button Metering - Cold	238AC Opt.B

Handle Assemblies

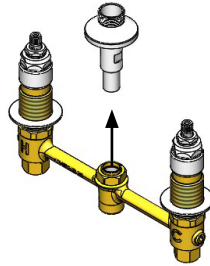
13	Handle, 4" Wrist Action (shown)	B-WH4-NS
	Handle, Lever	001638-45NS
	Handle, 4-Arm	002521-45NS
14	Screw, Handle	000925-45
15	Index, Button Snap-In Hot (Red)	001193-19NS
16	Index, Button Snap-In Cold (Blue)	018506-19NS
17	Pivot Action Handle - Hot	PA-H Opt.B
18	Pivot Action Handle - Cold	PA-C Opt.B
	Hot Cap Assembly	014194-40 Opt.B
	Cold Cap Assembly	014195-40 Opt.B
	Fast Self-Closing Asm - Cold	014A-NS Opt.B
	Fast Self-Closing Asm - Hot	015A-NS Opt.B

Before starting the installation, be sure to flush supply lines and shut off water supply.

⚠ Faucets with side spray or Pedal Valve connection: you must remove diverter from center shank, using a flat head screwdriver, before separating center shank from body for install.

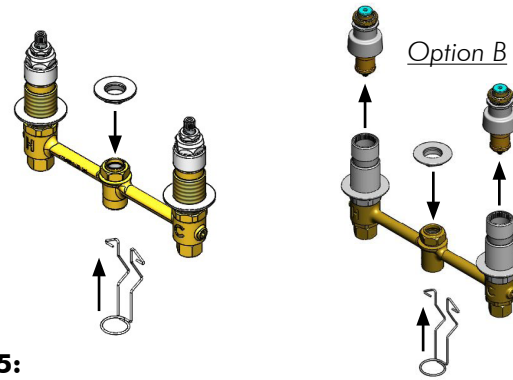
Step 1:

Take center shank out of body.



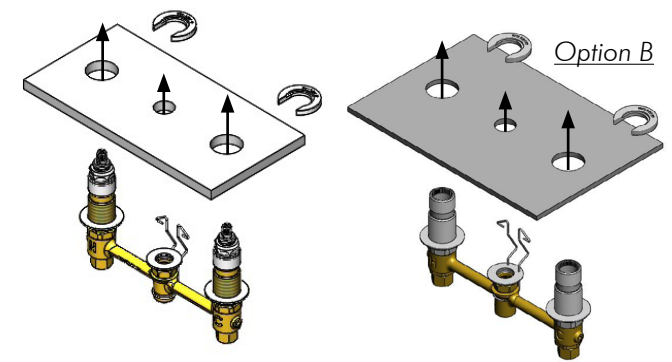
Step 2:

Place hanger on body. Add center flange nut to top of compression nut. *Option B:* Remove cartridges.



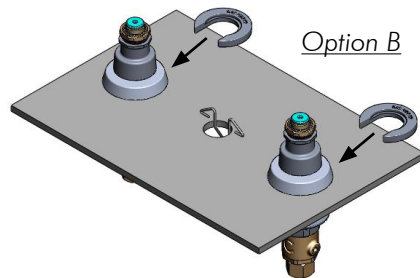
Step 3:

Insert body into deck holes until hanger snaps to top of deck. Place c-washers under bonnet nuts on side bodies.



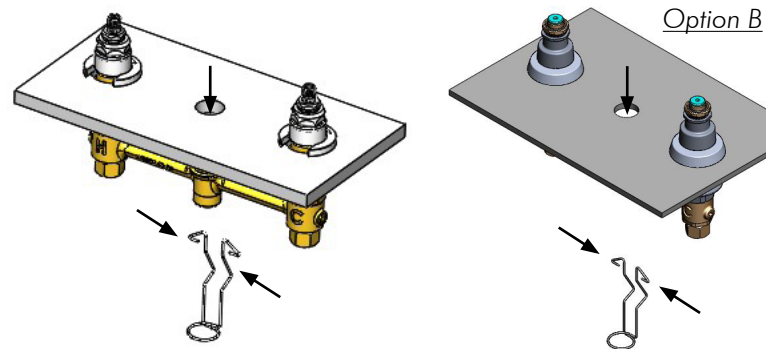
Step 4:

Option B: Screw metering escutcheons over c-washers. Tighten cartridges.



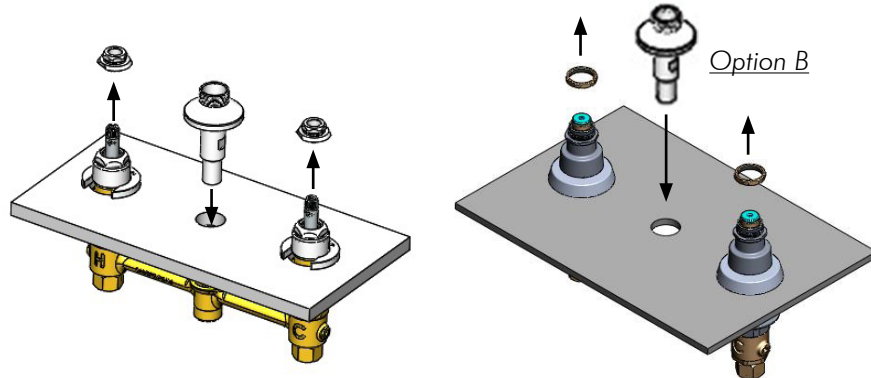
Step 5:

Squeeze hanger loops and allow hanger to drop through center hole.



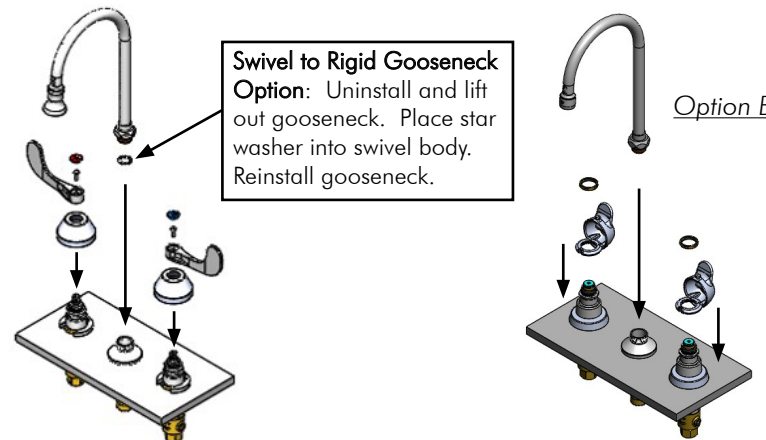
Step 6:

Remove nuts as shown. *Option B:* Remove retaining rings from cartridges. Place center body through center hole into main body. Tighten 3 flange nuts. Tighten compression nut to seal center body.

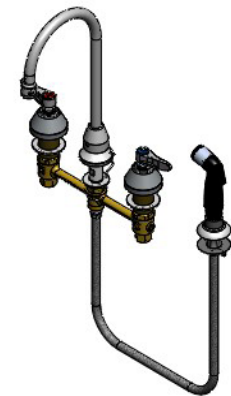


Step 7:

Add escutcheons, packing nuts, handles, spout and tighten. *Option B:* Add handles, retaining rings, spout and tighten. Turn on water supply and check for leaks.



For models with sidespray:



1. Tighten diverter to center body using flat head screwdriver.
2. Remove locknuts from hose guide, place it through existing hole in sink. Reinstall locknut on the hose guide. Tighten by hand.
3. Apply Teflon tape to threaded end of sidespray, insert through hose guide and attach threaded end of side spray to base of center body. Tighten with wrench.
4. Turn on water and check for leaks.