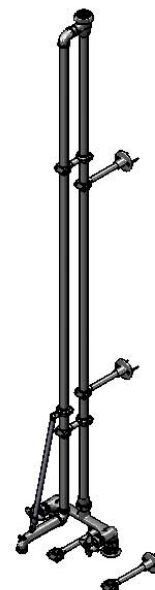
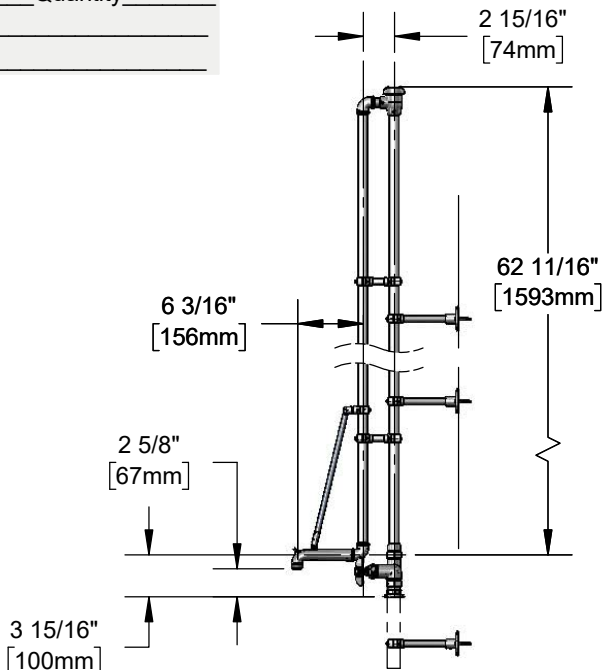
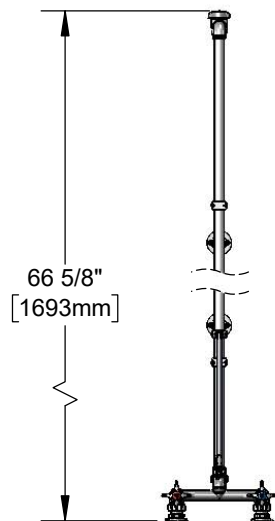




Architect/Engineering Specifications:

8" deck mount mixing faucet with polished chrome plated brass body, polished chrome plated brass spout with pail hook and garden hose male outlet, top support rod, compression cartridges with spring checks, 4-arm handles, 5' elevated atmospheric vacuum breaker, (4) wall brackets and 1/2" NPT female adjustable inlets. Certified to ASME A112.18.1/CSA B125.1, NSF 61 section-9, NSF 372, and ASSE 1001. Meets ADA ANSI/ICC A117.1 requirements.

Job Name _____
 Model Specified _____ Quantity _____
 Variations Specified _____
 Date _____



Features & Benefits:

- 8" adjustable deck mount mixing faucet with polished chrome plated brass body
- Spout w/ pail hook, garden hose male outlet and top support rod
- Quarter-turn Eterna compression cartridges w/ spring checks to prevent cross flow of water
- 4-arm handles w/ color coded indexes
- 5' elevated atmospheric vacuum breaker
- (4) wall brackets
- 1/2" NPT female adjustable arm inlets w/ Ø2" flanges w/ built-in service stops
- Adjustable centers from 7 3/4" to 8 1/4"
- Material: Polished chrome plated brass body & brass spout and chrome plated metal handle

Product Compliance:

- ASME A112.18.1 / CSA B125.1
- NSF 61 - Section 9
- NSF 372 (Low Lead Content)
- ASSE 1001 (VB)
- ANSI A117.1 (ADA)

Warranty: One Year (Limited)

Performance Data:

- Pressure: 20 - 125 psi
- Temperature: 40 °F - 140 °F
- Flow Rate: TBD GPM @ 60 psi



ADA Compliant



Optional Handles

- 4" Wrist Action
- Lever
- 4-Arm (Standard)

Optional Cartridges With Checks

- Quarter -Turn Cerama w/ Check Valve
- Quarter-Turn Eterna w/ Spring Check (Standard)

