



T&S BRASS AND BRONZE WORKS, INC.

2 Saddleback Cove / P.O. Box 1088
Travelers Rest, SC 29690

Model No.

B-1176

Item No.

Travelers Rest, SC: 800-476-4103 • Simi Valley, CA: 800-423-0150 • Fax: 864-834-3518 • www.tsbrass.com

This Space for Architect/Engineer Approval

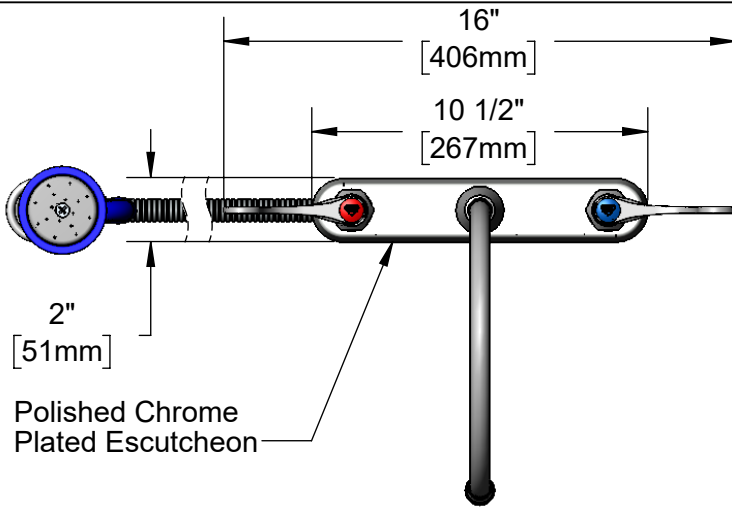
Job Name _____ Date _____

Model Specified _____ Quantity _____

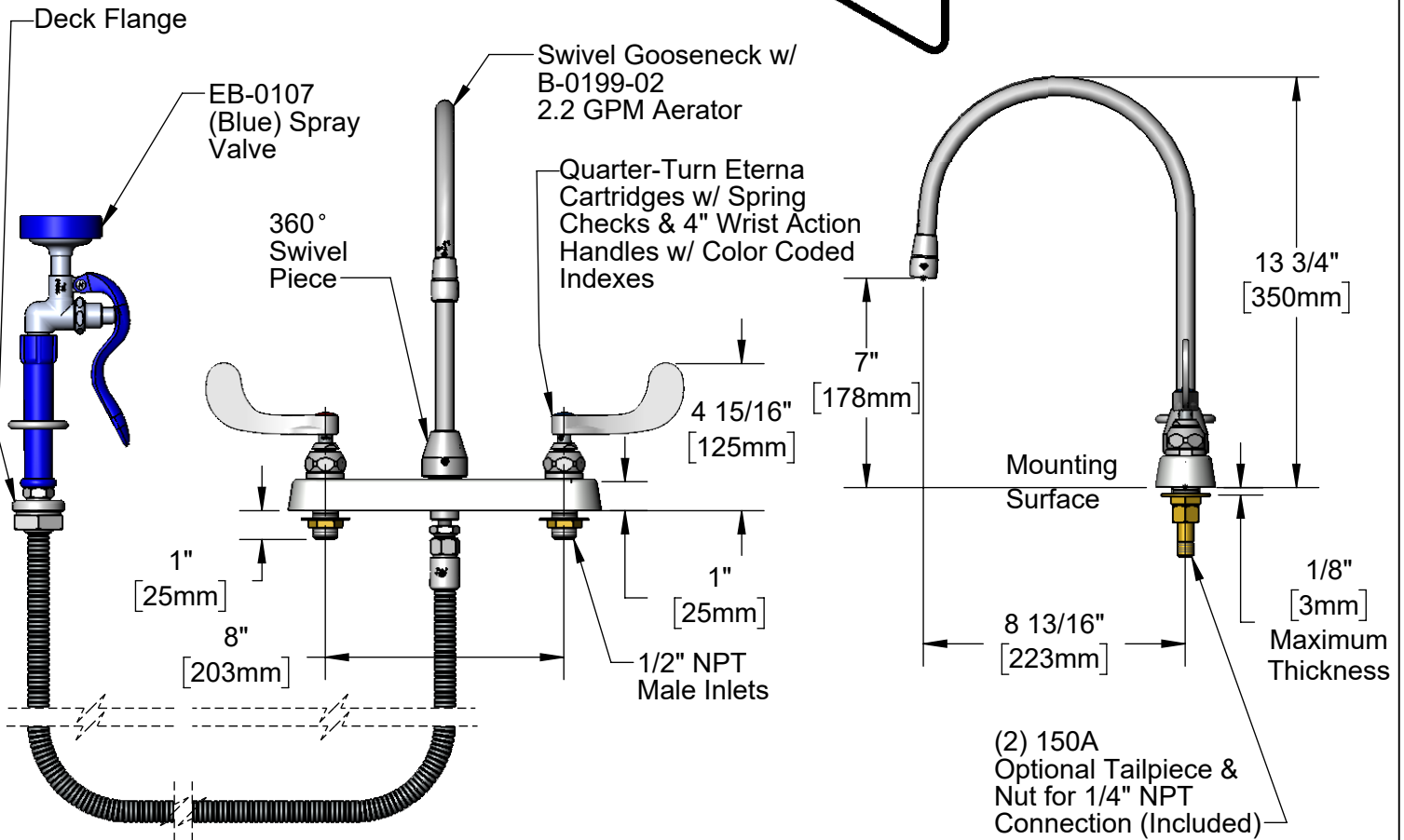
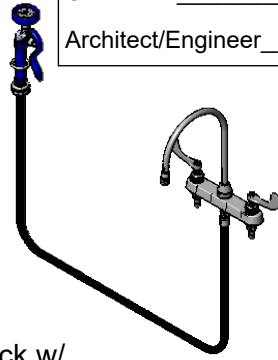
Customer/Wholesaler _____

Contractor _____

Architect/Engineer _____



Polished Chrome Plated Escutcheon



Rough-In Requirement:

Faucet: (3) \varnothing 1" [25mm] Mounting Holes

Deck Flange: (1) \varnothing 1 9/16" [40mm] Mounting Hole

Product Specifications:

8" Deck Mount Workboard Mixing Faucet, Quarter-Turn Eterna Cartridges w/ Spring Checks, 4" Wrist Action Handles, 8 13/16" Swivel Gooseneck, 2.2 GPM Aerator, 84" Flexible Stainless Steel Hose, (Blue) Spray Valve, Deck Flange & 1/2" NPT Male Inlets

Product Compliance:

ASME A112.18.1 / CSA B125.1
NSF 61 - Section 9
NSF 372 (Low Lead Content)
2019 DOE PRSV Non-Compliant



T&S BRASS AND BRONZE WORKS, INC.

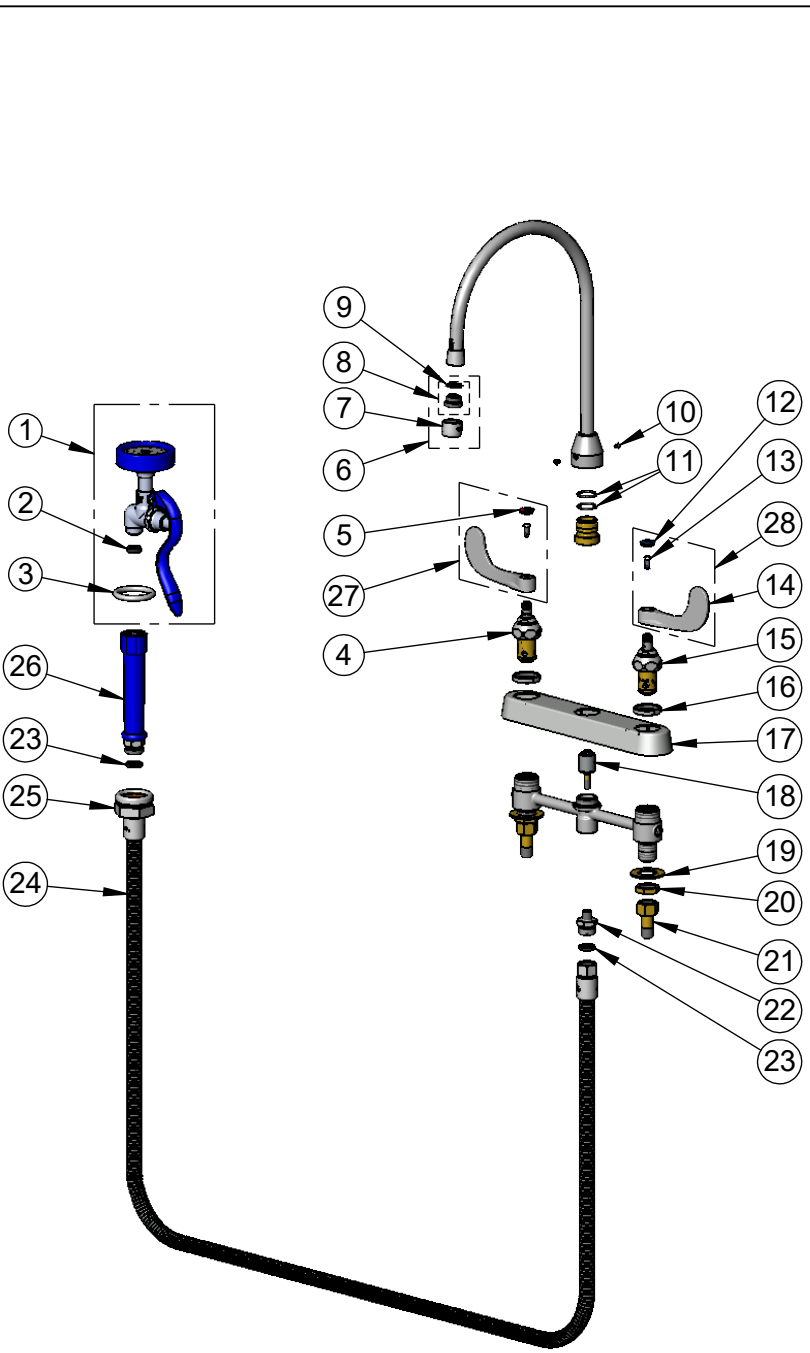
2 Saddleback Cove / P.O. Box 1088
Travelers Rest, SC 29690

Model No.

B-1176

Item No.

Travelers Rest, SC: 800-476-4103 • Simi Valley, CA: 800-423-0150 • Fax: 864-834-3518 • www.tsbrass.com



ITEM NO.	SALES NO.	DESCRIPTION
1	EB-0107	Blue Spray Valve
2	010476-45	#27 Washer
3	000907-45	Spray Valve Hold Down Ring
4	012443-40NS	Quarter-Turn Eterna Cartridge w/ Spring Check, RTC
5	001193-19NS	Red Button Index, Press-in
6	B-0199-02	2.2 GPM Aerator, 3/8" NPSM Male
7	B-0199-01	2.2 GPM Aerator, 55/64-27 UN Female
8	044A	3/8" to Aerator Adapter
9	001043-45	Washer
10	001486-45	Diverter Cover Screw
11	006562-45	O-Ring
12	018506-19NS	Blue Button Index, Press-in
13	000925-45	Lab Handle Screw
14	B-WH4-NS	Wrist Action Handle (New Style)
15	012442-40NS	Quarter-Turn Eterna Cartridge w/ Spring Check, LTC
16	019376-40	Escutcheon Lock Nut
17	019375-40	B-1120 Eterna Workboard Escutcheon
18	002338-45	Valve Diverter Piston
19	000999-45	Brass Lock Washer
20	002954-45	Shank Lock Nut
21	150A	1/4" NPT Tailpiece & Nut
22	000542-25	1/8" NPT x 3/4-14 Male Adapter
23	001014-45	Washer, B-0100 Hose Barrel
24	EB-0084-H	84" Flexible Stainless Steel Hose w/ Blue Grip Handle
25	B-KF	Protective Flange
26	011482-40	Blue Grip Handle
27	B-WH4H-NS	Wrist Action Handle, Red Index & Screw
28	B-WH4C-NS	Wrist Action Handle, Blue Index & Screw

Product Specifications:

8" Deck Mount Workboard Mixing Faucet, Quarter-Turn Eterna Cartridges w/ Spring Checks, 4" Wrist Action Handles, 8 13/16" Swivel Gooseneck, 2.2 GPM Aerator, 84" Flexible Stainless Steel Hose, (Blue) Spray Valve, Deck Flange & 1/2" NPT Male Inlets

Product Compliance:

ASME A112.18.1 / CSA B125.1
NSF 61 - Section 9
NSF 372 (Low Lead Content)
2019 DOE PRSV Non-Compliant