

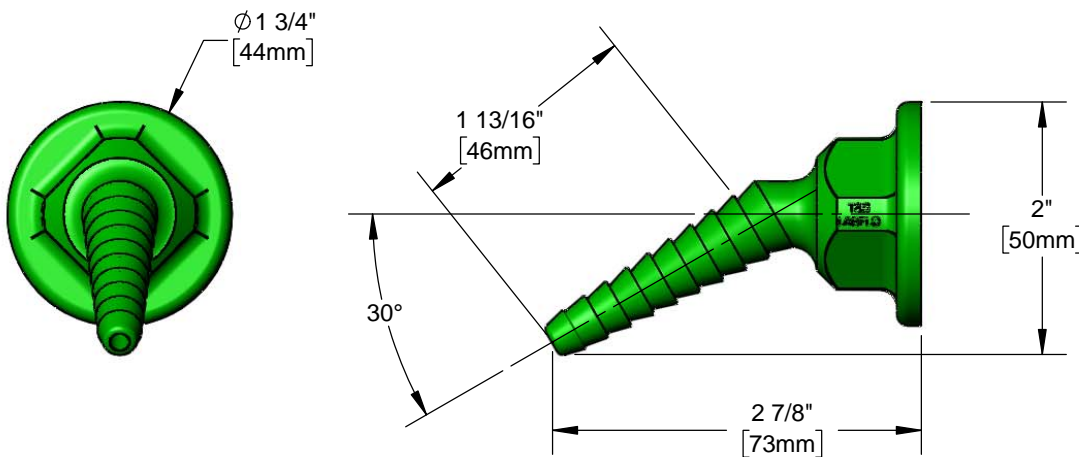


Green Panel Flange with Serrated Tip

Architect/Engineering Specifications:

Green polypropylene panel flange for water with serrated tip and 3/8" NPT female inlet. Certified to ASME A112.18.1/CSA B125.1.

Job Name _____
 Model Specified _____ Quantity _____
 Variations Specified _____
 Date _____



Features & Benefits:

- Polypropylene panel flange with serrated tip
- Color coded green for water operations
- 3/8" NPT female inlet
- Material: Polypropylene

Product Compliance:

- ASME A112.18.1 / CSA B125.1



Warranty: One Year (Limited)

Performance Data:

- Pressure: 25-125 psi
- Temperature: 40°F - 140°F
- Flow Rate: TBD

