



**T&S BRASS AND BRONZE WORKS, INC.**  
 2 Saddleback Cove / P.O. Box 1088  
 Travelers Rest, SC 29690

Model No.  
**B-0704-LVR-LSC**

Item No.

Travelers Rest, SC: 800-476-4103 • Simi Valley, CA: 800-423-0150 • Fax: 864-834-3518 • www.tsbrass.com



**ADA Compliant**

This Space for Architect/Engineer Approval

Job Name \_\_\_\_\_ Date \_\_\_\_\_

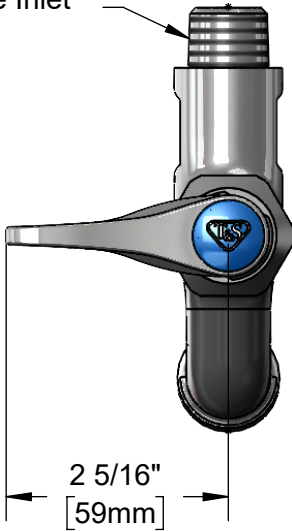
Model Specified \_\_\_\_\_ Quantity \_\_\_\_\_

Customer/Wholesaler \_\_\_\_\_

Contractor \_\_\_\_\_

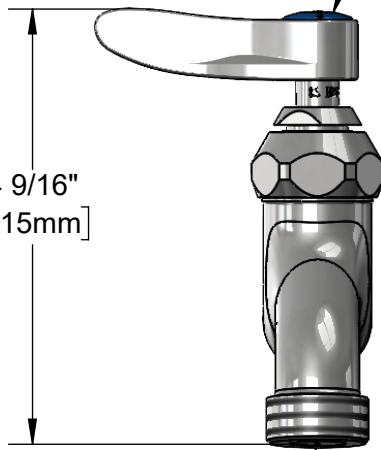
Architect/Engineer \_\_\_\_\_

1/2" NPT  
 Male Inlet



Eterna Cartridge, RTC w/  
 Lever Handle & Blue Color  
 Coded Index

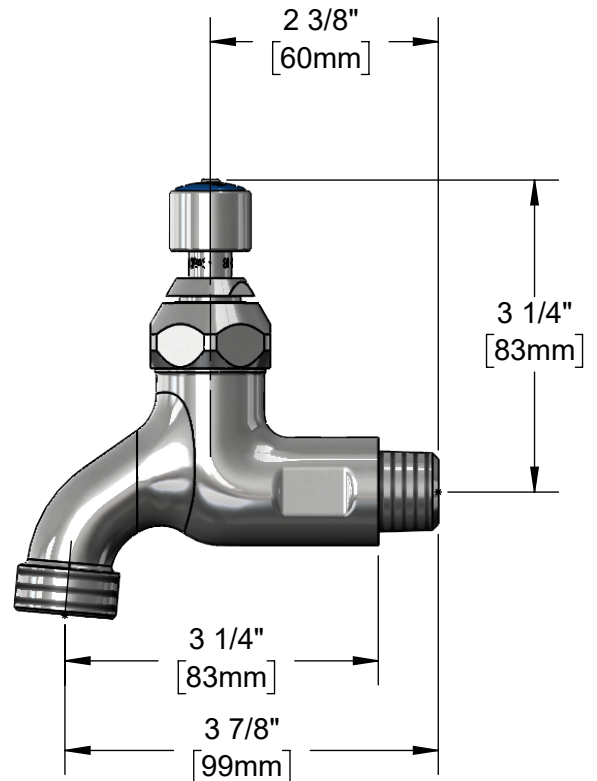
4 9/16"  
 [115mm]



Garden  
 Hose Male  
 Outlet

2 3/8"  
 [60mm]

3 1/4"  
 [83mm]



3 1/4"  
 [83mm]

3 7/8"  
 [99mm]

**Product Specifications:**

Sill Faucet, Eterna Cartridge, RTC w/ Lever Handle & Blue Color Coded Index, Garden Hose Male Outlet & 1/2" NPT Male Inlet

**Product Compliance:**

ASME A112.18.1 / CSA B125.1  
 NSF 61 - Section 9  
 NSF 372 (Low Lead Content)  
 ANSI A117.1 (ADA)



# T&S BRASS AND BRONZE WORKS, INC.

2 Saddleback Cove / P.O. Box 1088  
Travelers Rest, SC 29690

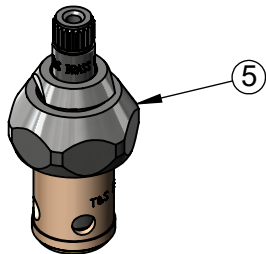
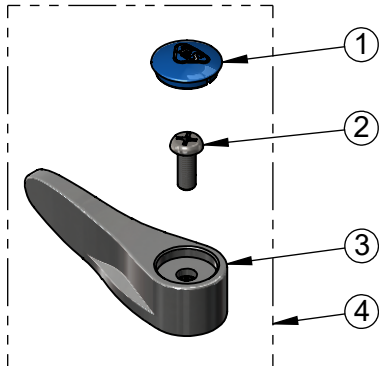
Model No.

**B-0704-LVR-LSC**

Item No.

Travelers Rest, SC: 800-476-4103 • Simi Valley, CA: 800-423-0150 • Fax: 864-834-3518 • www.tsbrass.com

ITEM NO.	SALES NO.	DESCRIPTION
1	018506-19NS	Blue Button Index, Press-in
2	000925-45	Lab Handle Screw
3	001638-45NS	Lever Handle (New Style)
4	001636-45NS	Lever Handle, Blue Index & Screw
5	005960-40NS	Eterna Cartridge, RTC



**Product Specifications:**

Sill Faucet, Eterna Cartridge, RTC w/ Lever Handle & Blue Color Coded Index, Garden Hose Male Outlet & 1/2" NPT Male Inlet

**Product Compliance:**

ASME A112.18.1 / CSA B125.1  
NSF 61 - Section 9  
NSF 372 (Low Lead Content)  
ANSI A117.1 (ADA)