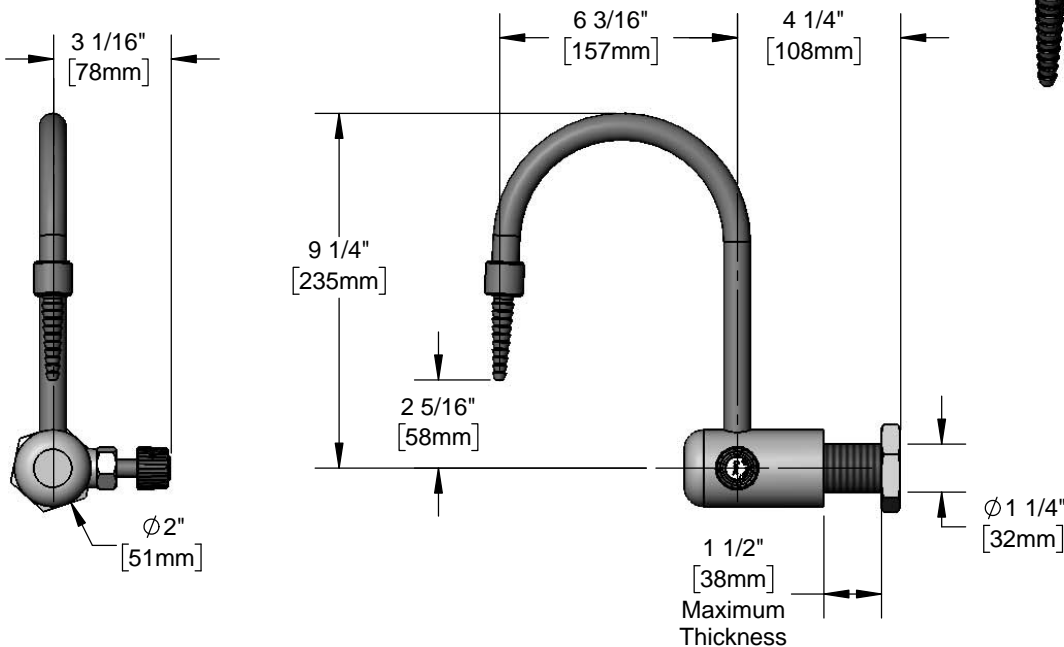




Architect/Engineering Specifications:

Single hole single temperature wall mount faucet with PVC body, 6 3/16" rigid gooseneck with serrated tip outlet, knob handle and 3/8" NPT female inlet. Certified to ASME A112.18.1/CSA B125.1, NSF 61 - Section 9 and NSF-372.

Job Name _____	
Model Specified _____	Quantity _____
Variations Specified _____	
Date _____	



Features & Benefits:

- Single hole single temperature wall mount faucet w/ PVC body
- 6 3/16" rigid gooseneck
- Serrated tip outlet
- Knob handle with white distilled water index
- 3/8" NPT female inlet
- Material: PVC body & tubular spout and plastic handle

Product Compliance:

- ASME A112.18.1 / CSA B125.1
- NSF 61 - Section 9
- NSF 372 (Low Lead Content)



Warranty: One Year (Limited)

Performance Data:

- Pressure: 20 - 125 psi
- Temperature: 40 °F - 140 °F
- Flow Rate: 3.93 GPM @ 60 psi

