



T&S BRASS AND BRONZE WORKS, INC.

2 Saddleback Cove / P.O. Box 1088
Travelers Rest, SC 29690

Model No.

017971-40

Item No.

Travelers Rest, SC: 800-476-4103 • Simi Valley, CA: 800-423-0150 • Fax: 864-834-3518 • www.tsbrass.com



ADA Compliant

This Space for Architect/Engineer Approval

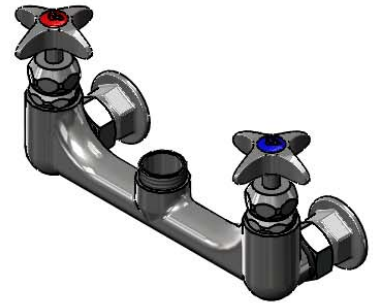
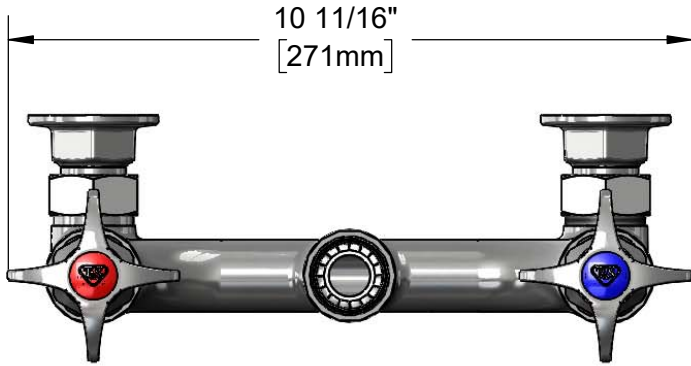
Job Name _____ Date _____

Model Specified _____ Quantity _____

Customer/Wholesaler _____

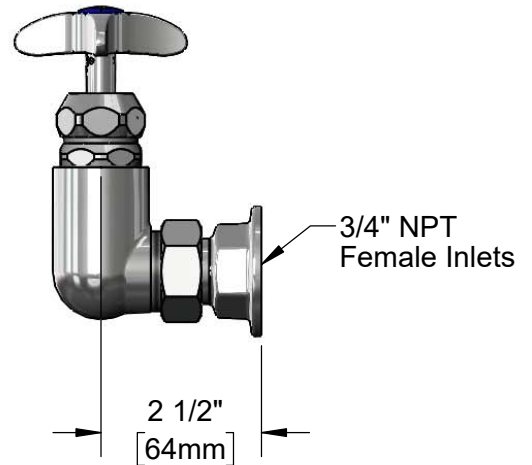
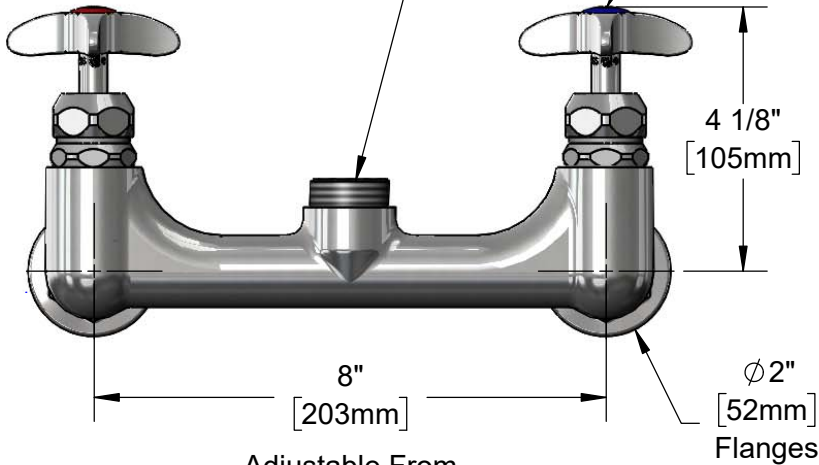
Contractor _____

Architect/Engineer _____



Swivel Outlet Accepts Standard T&S Big-Flo Swing Nozzles. Converts to Rigid with 016807-45 Lock Washer (Included)

Big-Flo Cartridges & 4 Arm Handles w/ Vandal Resistant Screws & Color Coded Indexes



Adjustable From 7 3/4" to 8 1/4" [197mm to 210mm]

Product Specifications:

8" Wall Mount Big-Flo Mixing Faucet Less Nozzle, Big-Flo Cartridges, 4-Arm Handles and 3/4" NPT Female Inlets

Product Compliance:

ASME A112.18.1 / CSA B125.1
NSF 61 - Section 9
NSF 372 (Low Lead Content)
ANSI A117.1 (ADA)



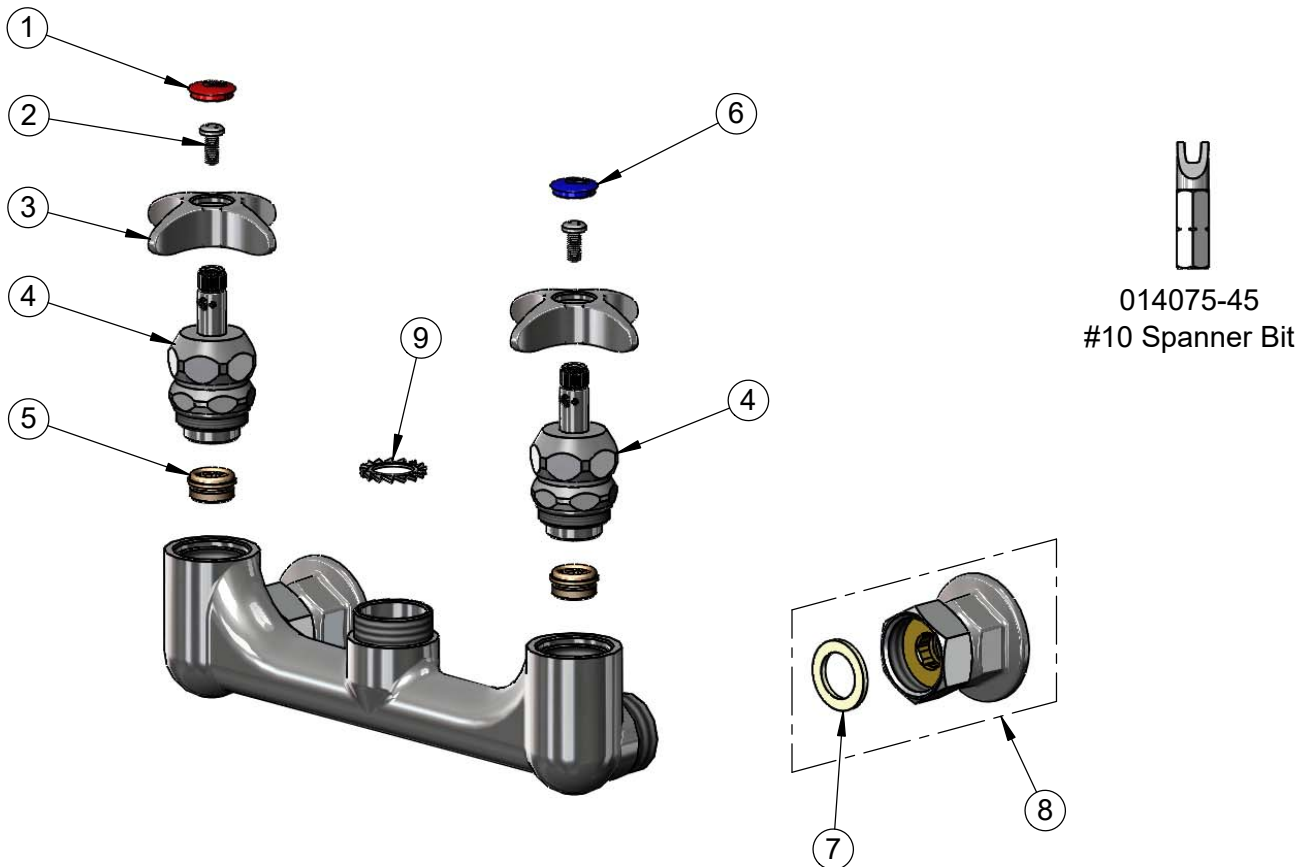
T&S BRASS AND BRONZE WORKS, INC.
 2 Saddleback Cove / P.O. Box 1088
 Travelers Rest, SC 29690

Model No.
017971-40

Item No.

Travelers Rest, SC: 800-476-4103 • Simi Valley, CA: 800-423-0150 • Fax: 864-834-3518 • www.tsbrass.com

ITEM NO.	SALES NO.	DESCRIPTION
1	001193-19NS	Red Button Index, Press-in
2	VRS-2	VR Wrist Action Handle Screw (2) w/ Spanner Bit
3	002521-45NS	4-Arm Handle (New Style)
4	006482-40NS	Big-Flo Cartridge, RTC
5	000764-20	Seat, Big-Flo
6	018506-19NS	Blue Button Index, Press-in
7	001019-45	Coupling Nut Washer
8	00BB	3/4" NPT Female Eccentric Flange
9	016807-45	Serrated Lock Washer



Product Specifications:
 8" Wall Mount Big-Flo Mixing Faucet Less Nozzle, Big-Flo Cartridges, 4-Arm Handles and 3/4" NPT Female Inlets

Product Compliance:
 ASME A112.18.1 / CSA B125.1
 NSF 61 - Section 9
 NSF 372 (Low Lead Content)
 ANSI A117.1 (ADA)