



T&S BRASS AND BRONZE WORKS, INC.
 2 Saddleback Cove / P.O. Box 1088
 Travelers Rest, SC 29690

Model No.
B-0216-CR

Item No.

Travelers Rest, SC: 800-476-4103 • Simi Valley, CA: 800-423-0150 • Fax: 864-834-3518 • www.tsbrass.com



ADA Compliant

This Space for Architect/Engineer Approval

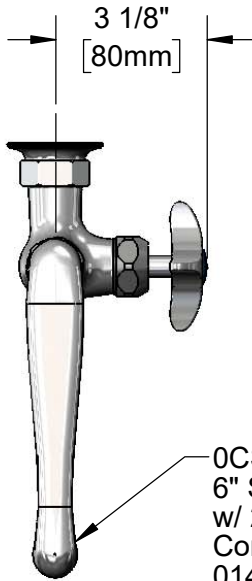
Job Name _____ Date _____

Model Specified _____ Quantity _____

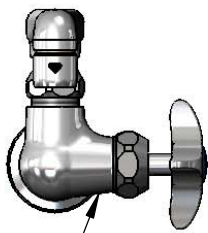
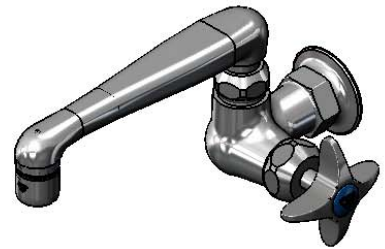
Customer/Wholesaler _____

Contractor _____

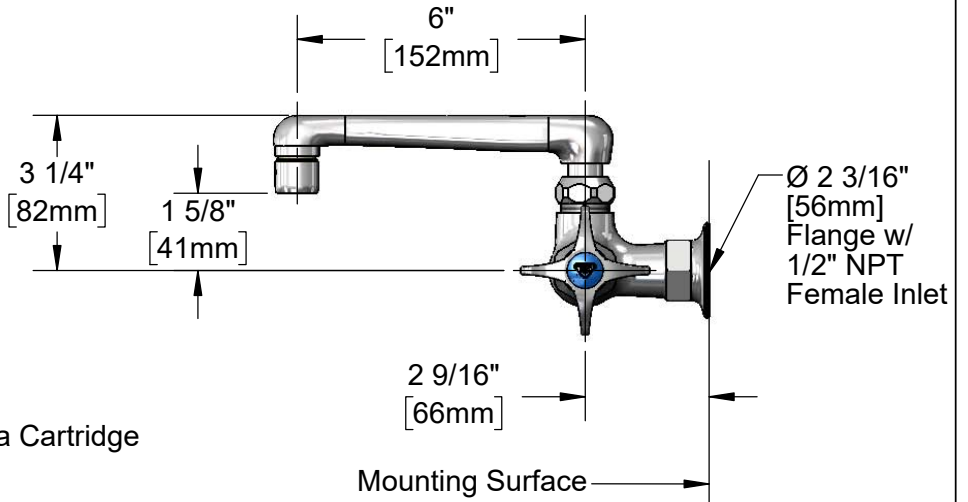
Architect/Engineer _____



0CS6
 6" Swivel Cast Spout
 w/ 2.2 GPM Aerator.
 Converts to Rigid w/
 014200-45
 Lock Washer (Included)



Quarter-Turn Cerama Cartridge
 w/ Check Valve &
 4-Arm Handle w/
 Blue Color Coded Index



Product Specifications:

Single Hole Single Temperature Wall Mount Faucet, 4-Arm Handle, Quarter-Turn Cerama Cartridge w/ Check Valve, 6" Swivel Cast Spout w/ 2.2 GPM Aerator & 1/2" NPT Female Inlet

Product Compliance:

ASME A112.18.1 / CSA B125.1
 NSF 61 - Section 9
 NSF 372 (Low Lead Content)
 ANSI A117.1 (ADA)

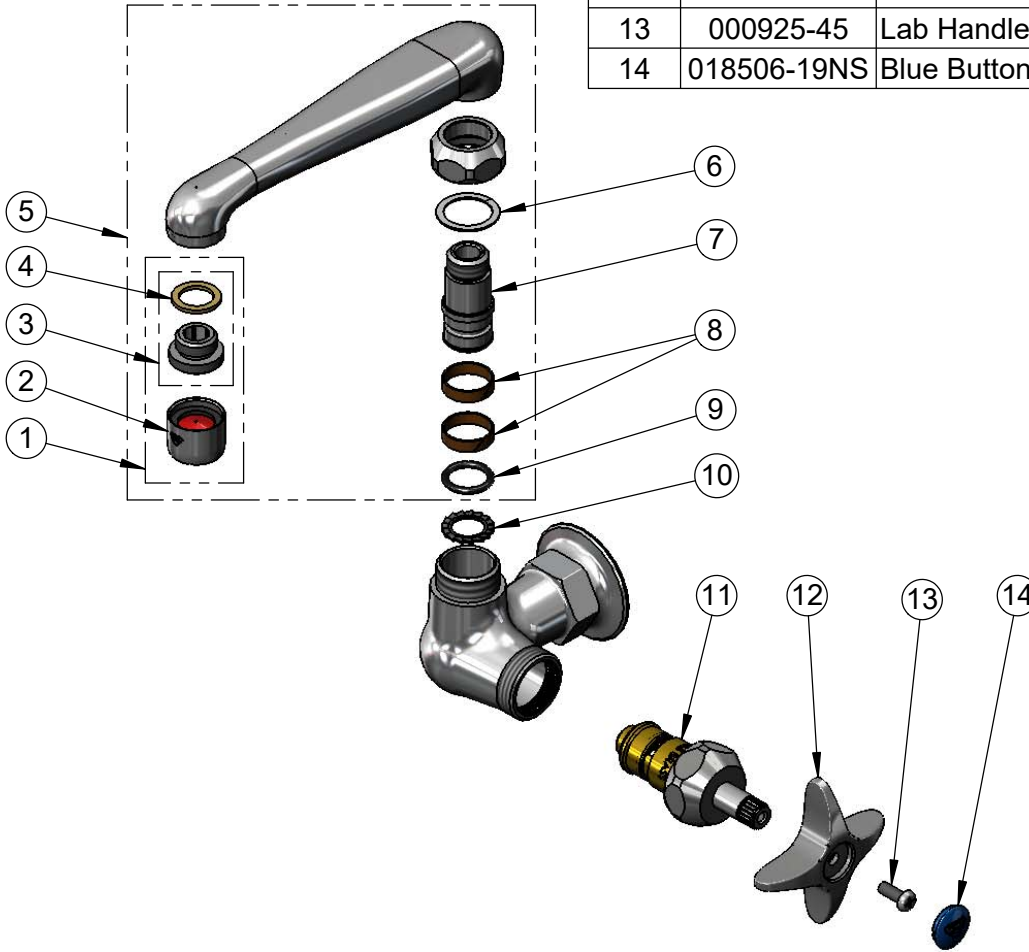


T&S BRASS AND BRONZE WORKS, INC.
 2 Saddleback Cove / P.O. Box 1088
 Travelers Rest, SC 29690

Model No.
B-0216-CR
 Item No.

Travelers Rest, SC: 800-476-4103 • Simi Valley, CA: 800-423-0150 • Fax: 864-834-3518 • www.tsbrass.com

ITEM NO.	SALES NO.	DESCRIPTION
1	B-0199-02	2.2 GPM Aerator, 3/8" NPSM Male
2	B-0199-01	2.2 GPM Aerator, 55/64-27 UN Female
3	044A	3/8" to Aerator Adapter
4	001043-45	Washer
5	0CS6	6" Swivel Cast Spout w/ 2.2 GPM Aerator
6	009538-45	Swivel Washer
7	000843-25	Swivel Body
8	011429-45	Swivel Sleeves (2)
9	001074-45	O-Ring
10	014200-45	Star Washer, Anti-Rotation
11	012394-25NS	Quarter-Turn Cerama Cartridge w/ Check Valve, RTC
12	002521-45NS	4-Arm Handle (New Style)
13	000925-45	Lab Handle Screw
14	018506-19NS	Blue Button Index, Press-in



Product Specifications:
 Single Hole Single Temperature Wall Mount Faucet, 4-Arm Handle, Quarter-Turn Cerama Cartridge w/ Check Valve, 6" Swivel Cast Spout w/ 2.2 GPM Aerator & 1/2" NPT Female Inlet

Product Compliance:
 ASME A112.18.1 / CSA B125.1
 NSF 61 - Section 9
 NSF 372 (Low Lead Content)
 ANSI A117.1 (ADA)