



T&S BRASS AND BRONZE WORKS, INC.
 2 Saddleback Cove / P.O. Box 1088
 Travelers Rest, SC 29690

Model No.
B-3962-XS

Item No.

Travelers Rest, SC: 800-476-4103 • Simi Valley, CA: 800-423-0150 • Fax: 864-834-3518 • www.tsbrass.com

This Space for Architect/Engineer Approval

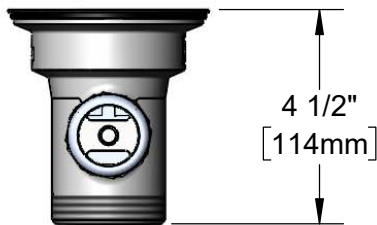
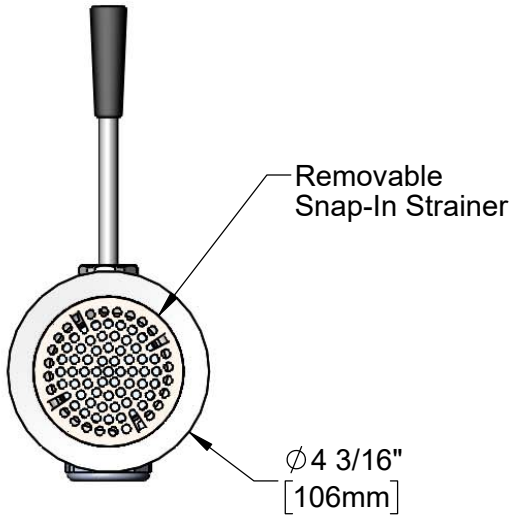
Job Name _____ Date _____

Model Specified _____ Quantity _____

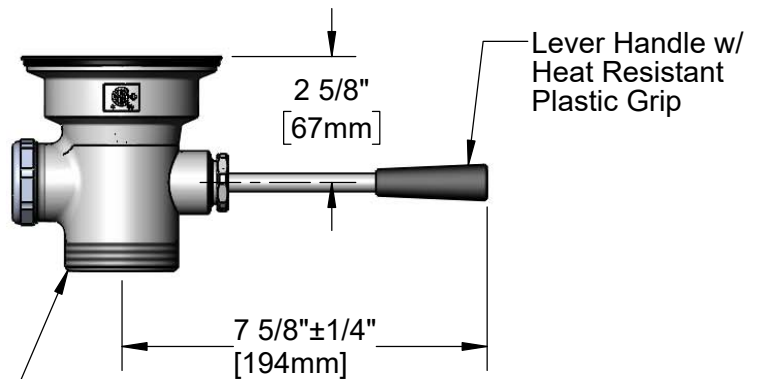
Customer/Wholesaler _____

Contractor _____

Architect/Engineer _____



2" NPT Male Thread,
 1 1/2" NPT Female Thread



Product Specifications:
 Waste Drain Valve w/ Short Lever Handle, 3" Sink Opening,
 2" NPT Male & 1 1/2" NPT Female Outlet

Product Compliance:
 ASME A112.18.2 / CSA B125.2



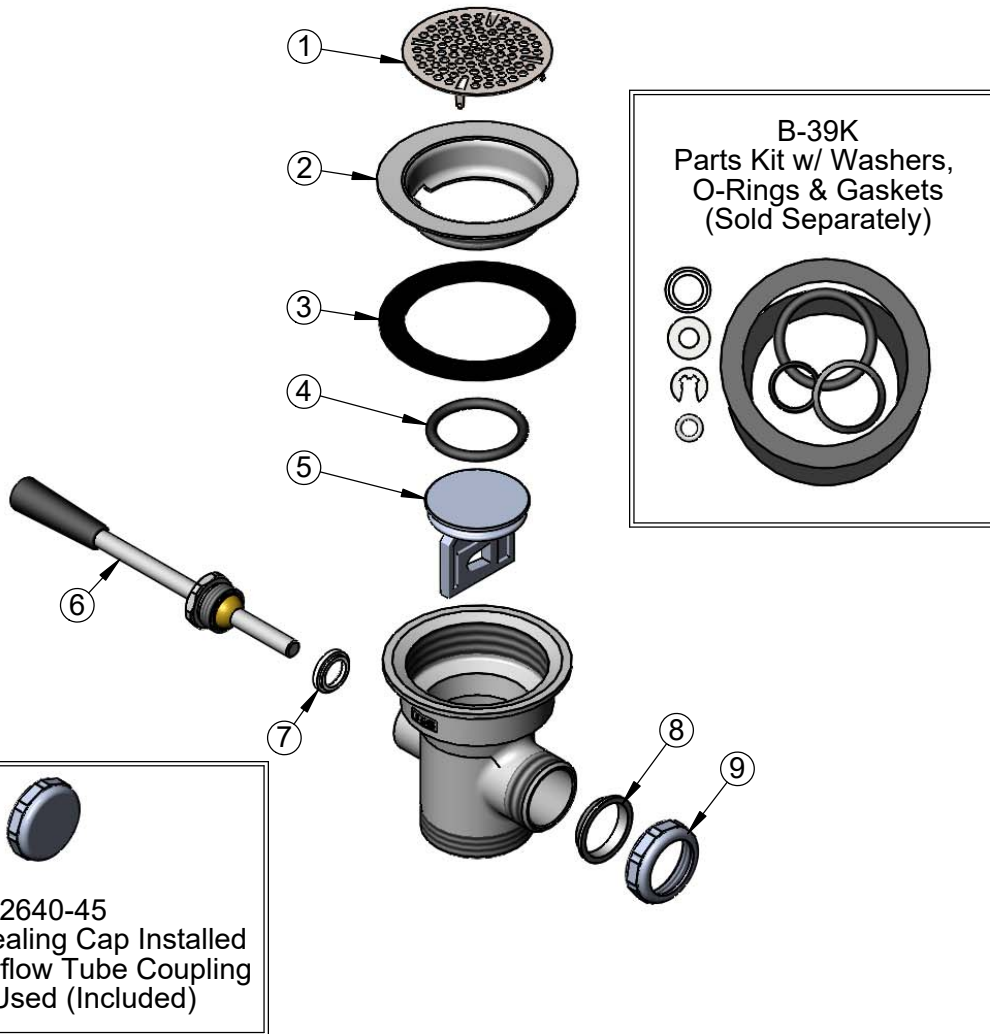
T&S BRASS AND BRONZE WORKS, INC.
 2 Saddleback Cove / P.O. Box 1088
 Travelers Rest, SC 29690

Model No.
B-3962-XS

Item No.

Travelers Rest, SC: 800-476-4103 • Simi Valley, CA: 800-423-0150 • Fax: 864-834-3518 • www.tsbrass.com

ITEM NO.	SALES NO.	DESCRIPTION
1	010385-45	Strainer, 3" Snap-in
2	015306-45	Flange, 3" Face
3	010381-45	Gasket, 3" Face Flange
4	010389-45	O-Ring, Plunger
5	010388-45	Plunger, Lever and Twist Drain
6	010394-45XS	Handle Asm, Waste Valve Short Lever
7	010392-45	Bushing, Waste Drain Lever Handle
8	010390-45	Ferrule, Coupling Nut
9	010391-45	Nut, Coupling for Twist Drain



Product Specifications:
 Waste Drain Valve w/ Short Lever Handle, 3" Sink Opening,
 2" NPT Male & 1 1/2" NPT Female Outlet

Product Compliance:
 ASME A112.18.2 / CSA B125.2