



T&S BRASS AND BRONZE WORKS, INC.
 2 Saddleback Cove / P.O. Box 1088
 Travelers Rest, SC 29690

Model No.
B-0592-LVR

Item No.

Travelers Rest, SC: 800-476-4103 • Simi Valley, CA: 800-423-0150 • Fax: 864-834-3518 • www.tsbrass.com

This Space for Architect/Engineer Approval

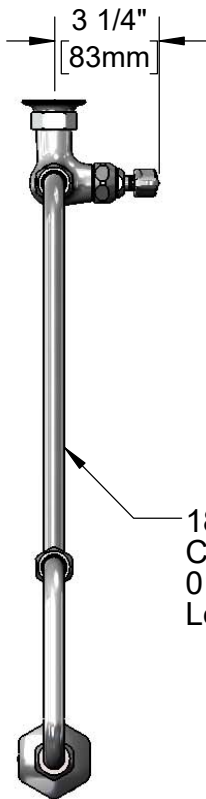
Job Name _____ Date _____

Model Specified _____ Quantity _____

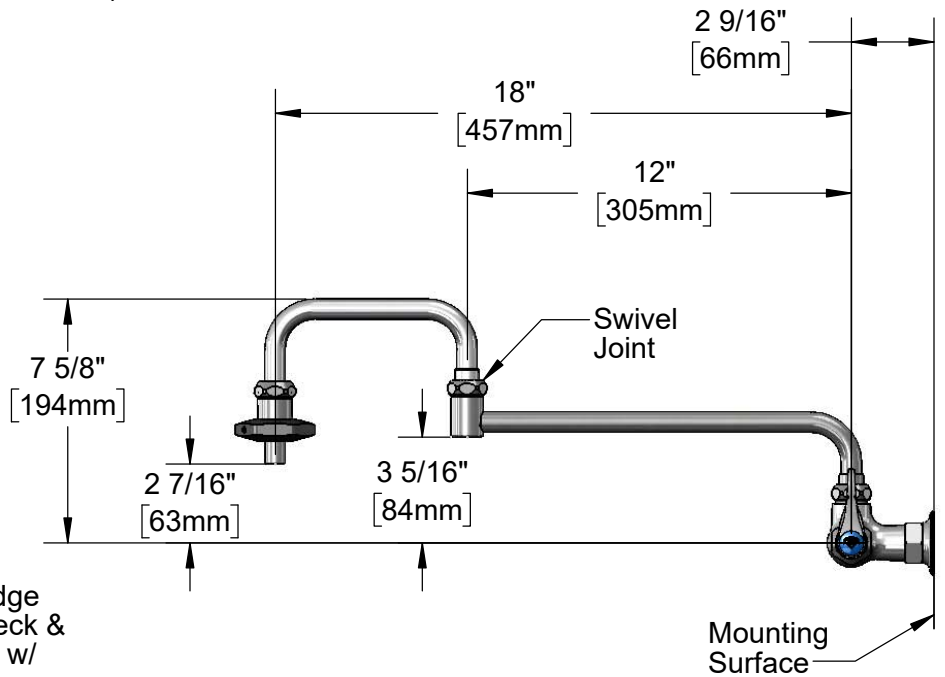
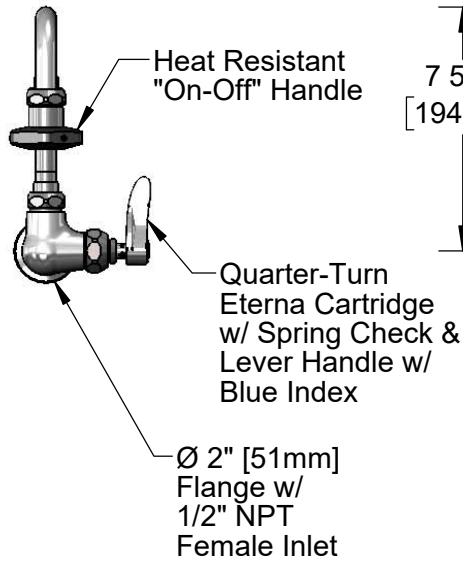
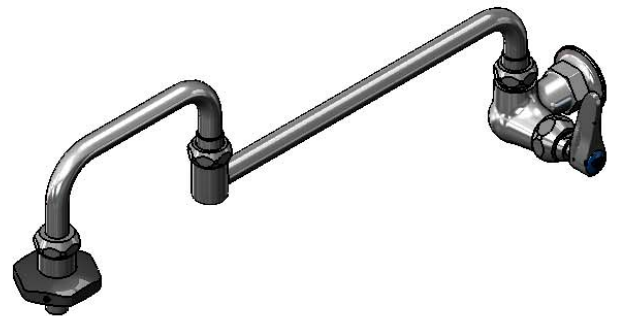
Customer/Wholesaler _____

Contractor _____

Architect/Engineer _____



18" Double Joint Swing Nozzle
 Converts to Rigid w/
 014200-45
 Lock Washer (Included)



Product Specifications:

Pot Filler Wall Mount Faucet, Quarter-Turn Eterna Cartridge w/ Spring Check, Lever Handle, 18" Double Joint Swing Nozzle, Heat Resistant Handle & 1/2" NPT Female Inlet

Product Compliance:

ASME A112.18.1 / CSA B125.1
 NSF 61 - Section 9
 NSF 372 (Low Lead Content)



T&S BRASS AND BRONZE WORKS, INC.

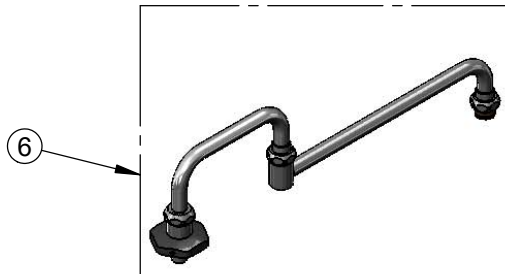
2 Saddleback Cove / P.O. Box 1088
Travelers Rest, SC 29690

Model No.

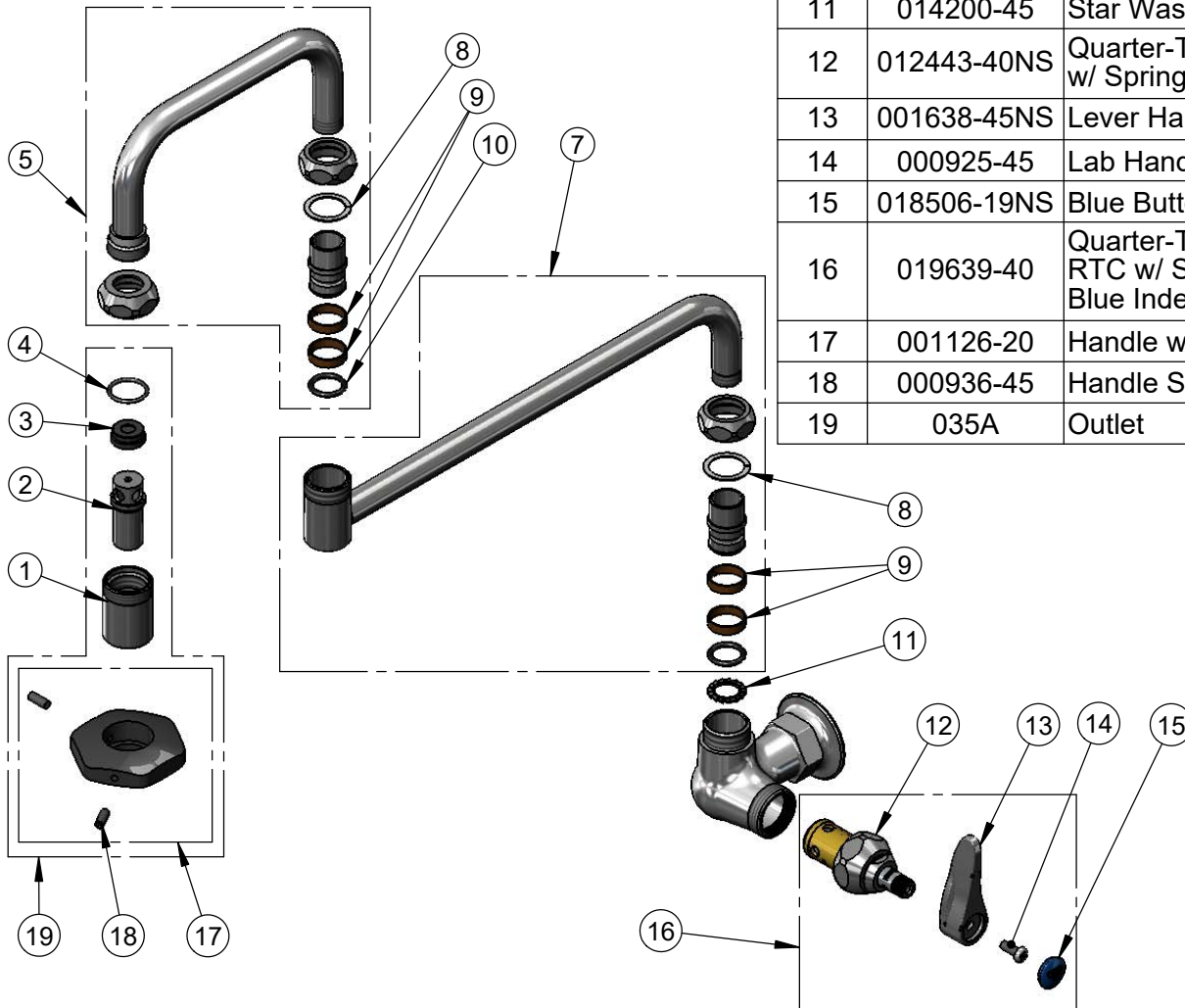
B-0592-LVR

Item No.

Travelers Rest, SC: 800-476-4103 • Simi Valley, CA: 800-423-0150 • Fax: 864-834-3518 • www.tsbrass.com



Additional View for Bill of Material Clarification w/o Faucet



ITEM NO.	SALES NO.	DESCRIPTION
1	000587-25	Spout Body
2	001498-25	Spout
3	001089-45	Seal
4	003426-45	O-Ring
5	002870-40	6" Front Section
6	002848-40	18" Double Joint Nozzle
7	002871-40	12" Back Section
8	009538-45	Swivel Washer
9	011429-45	Swivel Sleeves (2)
10	001074-45	O-Ring
11	014200-45	Star Washer, Anti-Rotation
12	012443-40NS	Quarter-Turn Eterna Cartridge w/ Spring Check, RTC
13	001638-45NS	Lever Handle (New Style)
14	000925-45	Lab Handle Screw
15	018506-19NS	Blue Button Index, Press-in
16	019639-40	Quarter-Turn Eterna Cartridge RTC w/ Spring Check, Handle, Blue Index & Screw
17	001126-20	Handle w/ (2) Set Screws
18	000936-45	Handle Set Screw
19	035A	Outlet

Product Specifications:

Pot Filler Wall Mount Faucet, Quarter-Turn Eterna Cartridge w/ Spring Check, Lever Handle, 18" Double Joint Swing Nozzle, Heat Resistant Handle & 1/2" NPT Female Inlet

Product Compliance:

ASME A112.18.1 / CSA B125.1
NSF 61 - Section 9
NSF 372 (Low Lead Content)