



**T&S BRASS AND BRONZE WORKS, INC.**

2 Saddleback Cove / P.O. Box 1088  
Travelers Rest, SC 29690

Model No.

**B-0711**

Item No.

Travelers Rest, SC: 800-476-4103 • Simi Valley, CA: 800-423-0150 • Fax: 864-834-3518 • www.tsbrass.com

This Space for Architect/Engineer Approval

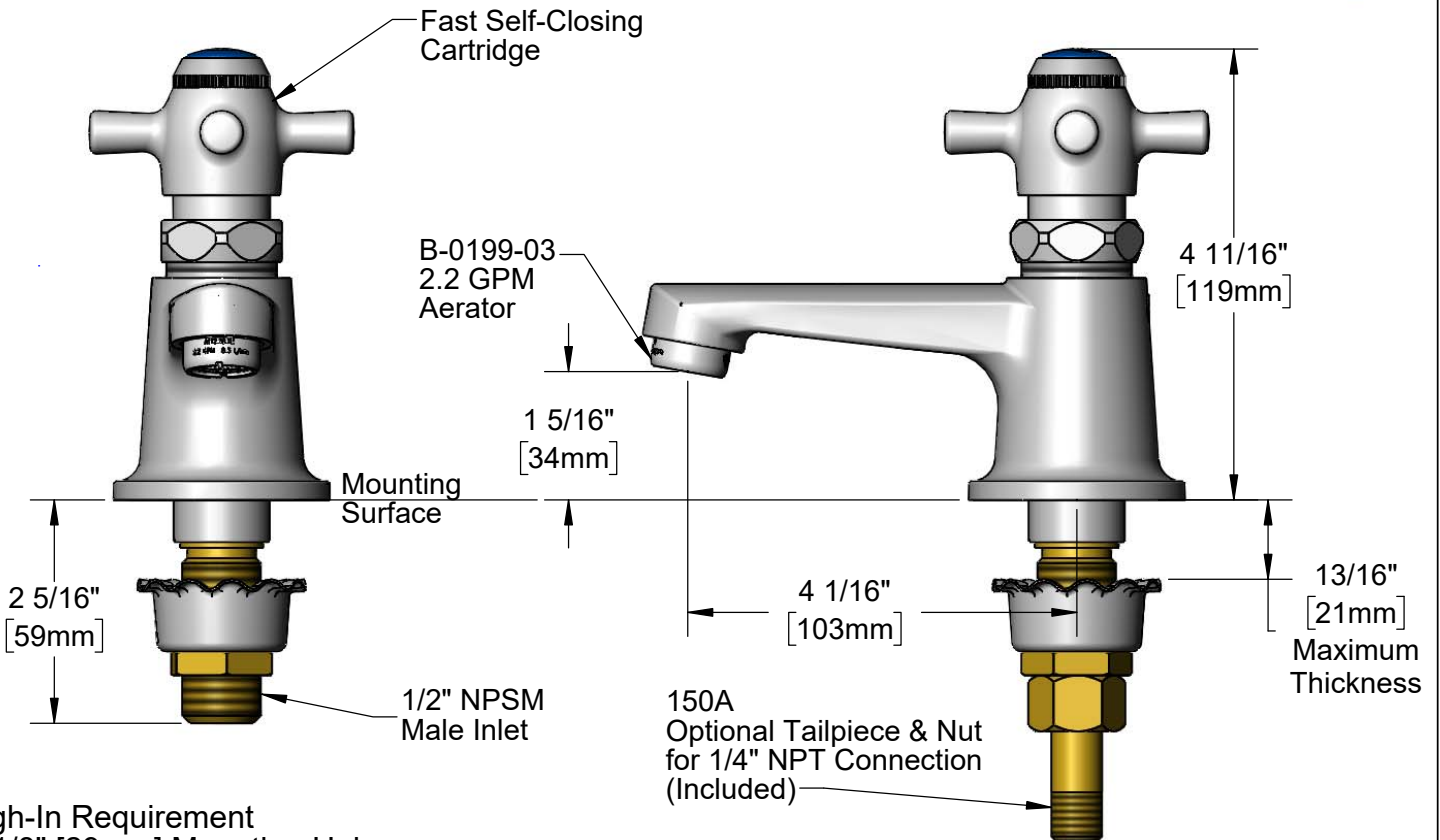
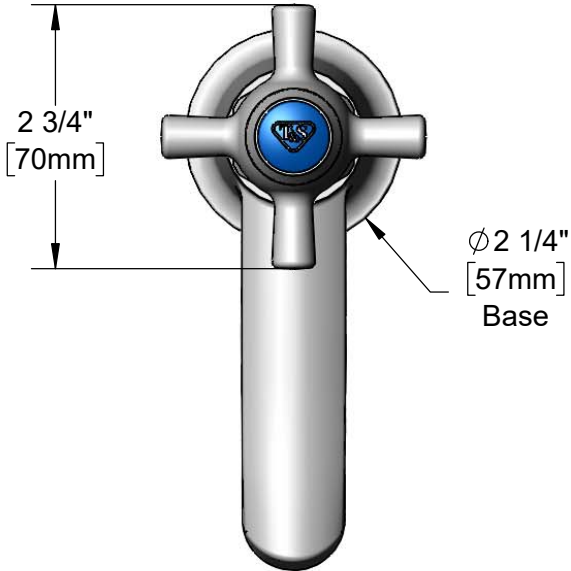
Job Name \_\_\_\_\_ Date \_\_\_\_\_

Model Specified \_\_\_\_\_ Quantity \_\_\_\_\_

Customer/Wholesaler \_\_\_\_\_

Contractor \_\_\_\_\_

Architect/Engineer \_\_\_\_\_



**Rough-In Requirement**  
Ø 1 1/8" [29mm] Mounting Hole

**Product Specifications:**

Single Hole Single Temperature Basin Faucet, Fast Self-Closing Cartridge, 2.2 GPM Aerator & 1/2" NPSM Male Inlet

**Product Compliance:**

ASME A112.18.1 / CSA B125.1  
NSF 61 - Section 9  
NSF 372 (Low Lead Content)



# T&S BRASS AND BRONZE WORKS, INC.

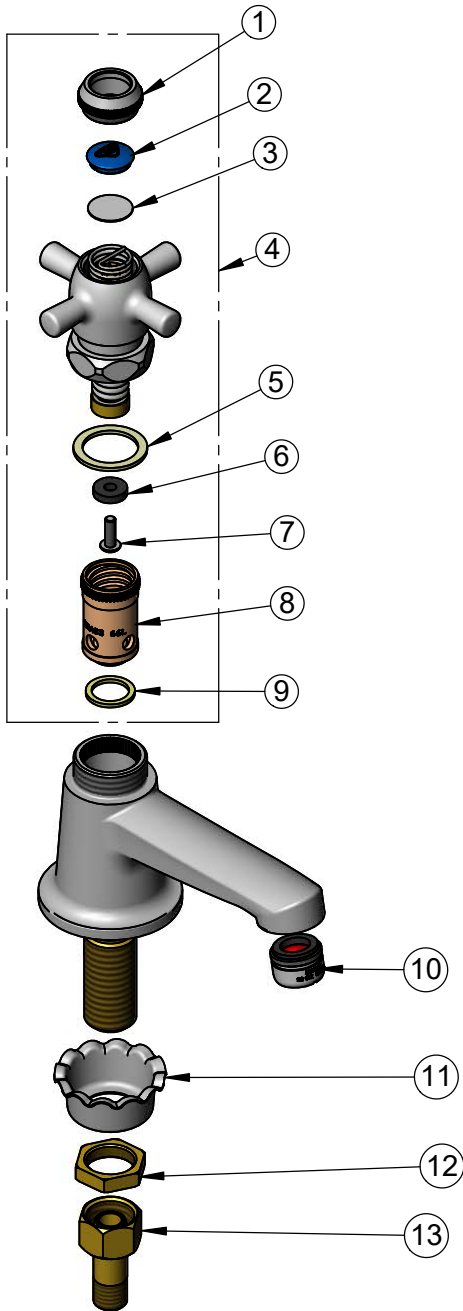
2 Saddleback Cove / P.O. Box 1088  
 Travelers Rest, SC 29690

Model No.

**B-0711**

Item No.

Travelers Rest, SC: 800-476-4103 • Simi Valley, CA: 800-423-0150 • Fax: 864-834-3518 • www.tsbrass.com



ITEM NO.	SALES NO.	DESCRIPTION
1	000674-40NS	Slow Close Index Ring
2	018506-19NS	Blue Button Index, Press-in
3	001013-45	Slow Close Handle Disc
4	007900-40NS	Fast Self-Closing Cold Cartridge
5	002601-45	Washer
6	001092-45	Seat Washer
7	000933-45	Seat Washer Screw
8	000789-20	Removable Insert
9	001022-45	Washer
10	B-0199-03	2.2 GPM Aerator
11	001000-45	Rosette Washer
12	002954-45	Shank Lock Nut
13	150A	1/4" NPT Tailpiece & Nut

**Product Specifications:**

Single Hole Single Temperature Basin Faucet, Fast Self-Closing Cartridge, 2.2 GPM Aerator & 1/2" NPSM Male Inlet

**Product Compliance:**

ASME A112.18.1 / CSA B125.1  
 NSF 61 - Section 9  
 NSF 372 (Low Lead Content)