



T&S BRASS AND BRONZE WORKS, INC.
 2 Saddleback Cove / P.O. Box 1088
 Travelers Rest, SC 29690

Model No.
HG-4D-48G-K-PS

Item No.

Travelers Rest, SC: 800-476-4103 • Simi Valley, CA: 800-423-0150 • Fax: 864-834-3518 • www.tsbrass.com

This Space for Architect/Engineer Approval

Job Name _____ Date _____

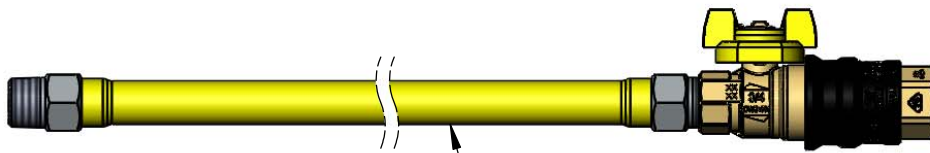
Model Specified _____ Quantity _____

Customer/Wholesaler _____

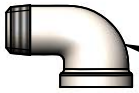
Contractor _____

Architect/Engineer _____

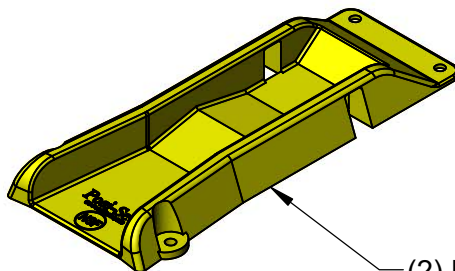
SAFE-T-GUARD



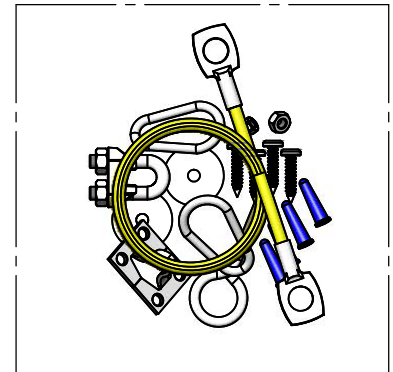
3/4" NPT x 48" [1219mm] Coated Gas Hose
 w/ 3/4" NPT SAFE-T-GUARD Quick Disconnect
 Valve Gas Coupling



(2) 3/4" NPT Street Els



(2) Posi-Set Appliance
 Locating Devices
 (Includes Mounting Hardware)



AG-RC
 Restraining Cable Kit

Product Specifications:

Safe-T-Link Gas Appliance Connector: 3/4" x 48" Coated Gas Hose w/ 3/4"
 Quick Disconnect Valve Gas Coupling & 3/4" NPT Street Elbows,
 Restraining Cable Kit & Posi-Set Locating Devices

Product Compliance:

ANSI Z21.69 / CSA 6.16
 NSF 2
 NFPA 54