



T&S BRASS AND BRONZE WORKS, INC.

2 Saddleback Cove / P.O. Box 1088
Travelers Rest, SC 29690

Model No.

B-7132-U02TS3

Item No.

Travelers Rest, SC: 800-476-4103 • Simi Valley, CA: 800-423-0150 • Fax: 864-834-3518 • www.tsbrass.com

This Space for Architect/Engineer Approval

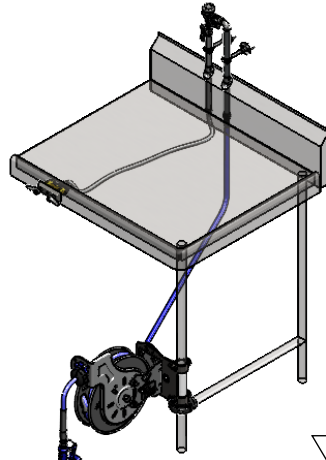
Job Name _____ Date _____

Model Specified _____ Quantity _____

Customer/Wholesaler _____

Contractor _____

Architect/Engineer _____



Ø 1 1/4" Holes
on 4 1/4" C/C

B-0110
Ø 1/2" Wall Support
(Sold Separately)

001995-25
1/2" to 3/8" NPT
Reducing Coupler

3"
[76mm]

Open SS
Hose Reel
w/ 35' of 3/8"
Hose

HW-4B-72
3/8" NPT x 72"
Flexible Water
Connector w/
Quick Disconnect

016325-45XL
Stainless Steel
Flexible Hose

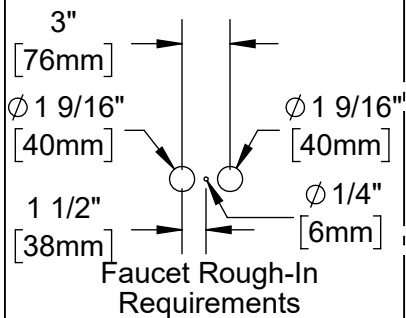
019652-40
3/8" NPT
Live Swivel

B-0455-04-963VB
3" Concealed Mixing Faucet w/
Quarter-Turn Eternas w/
Spring Checks, Lever Handles,
Color Coded Indexes & 3/8"
NPT Female Inlets

3/8" NPT
Close
Nipple

Table Shown for
Illustrative Purpose Only

MV-2516-24
Rear Trigger
Spray Gun



Product Specifications:

Open Stainless Steel Hose Reel w/ 35' of 3/8" Hose, 5/16" Rear Trigger Spray Gun w/ Swivel, Vacuum Breaker, 3/8" NPT Flexible Water Connector with Quick Disconnect, 3" Concealed Mixing Faucet, 1200mm Stainless Steel Connector Hose & Table Leg Swing Bracket

Product Compliance:

NSF 61 Exempt (Non-Potable)
2019 DOE PRSV Non-Compliant
ASSE 1056 (VB)



T&S BRASS AND BRONZE WORKS, INC.

2 Saddleback Cove / P.O. Box 1088
Travelers Rest, SC 29690

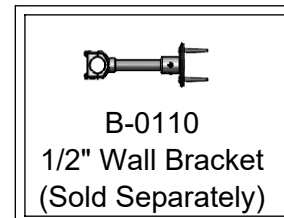
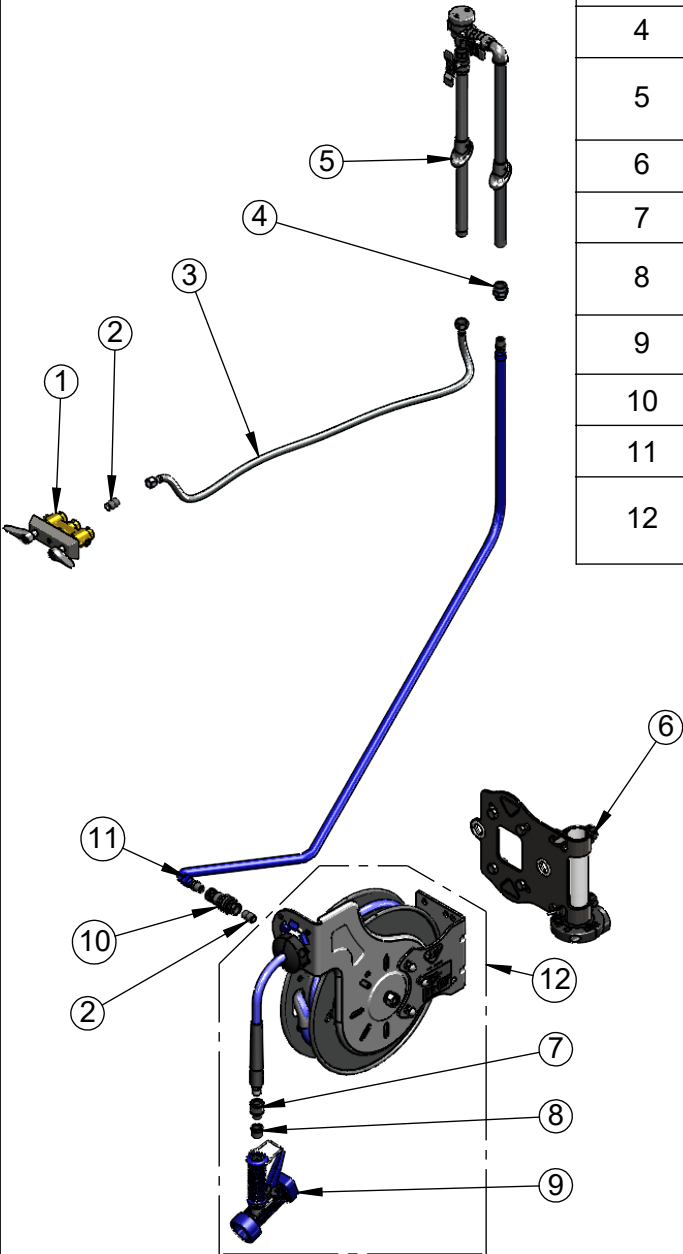
Model No.

B-7132-U02TS3

Item No.

Travelers Rest, SC: 800-476-4103 • Simi Valley, CA: 800-423-0150 • Fax: 864-834-3518 • www.tsbrass.com

ITEM NO.	SALES NO.	DESCRIPTION
1	B-0513	3" Concealed Mixing Faucet
2	002535-25	3/8" NPT Close Nipple
3	016325-45XL	1200mm Stainless Steel Flexible Hose w/ 1/2" NPSM & 3/8" NPSM Female Connections
4	001995-25	1/2" NPT x 3/8" NPT Coupler
5	B-0455-04-963VB	1/2" NPT Vacuum Breaker Unit for Angled Backsplash
6	G018477-45	Table Leg Swing Bracket
7	019652-40	3/8" NPT Live Swivel
8	001359-40	1/2" NPT Male x 3/8" NPT Female Hex Bushing
9	MV-2516-24	Rear Trigger Stainless Steel Spray Gun
10	AW-5B	3/8" NPT Quick Disconnect
11	HW-2B-72	3/8" NPT x 72" Flexible Water Hose
12	B-7132-02	Open Stainless Steel Reel w/ 35' of 3/8" Hose w/ Swivel & SS Water Gun



Product Specifications:
Open Stainless Steel Hose Reel w/ 35' of 3/8" Hose, 5/16" Rear Trigger Spray Gun w/ Swivel, Vacuum Breaker, 3/8" NPT Flexible Water Connector with Quick Disconnect, 3" Concealed Mixing Faucet, 1200mm Stainless Steel Connector Hose & Table Leg Swing Bracket

Product Compliance:
NSF 61 Exempt (Non-Potable)
2019 DOE PRSV Non-Compliant
ASSE 1056 (VB)