



**T&S BRASS AND BRONZE WORKS, INC.**  
 2 Saddleback Cove / P.O. Box 1088  
 Travelers Rest, SC 29690

Model No.  
**B-17K**

Item No.

Travelers Rest, SC: 800-476-4103 • Simi Valley, CA: 800-423-0150 • Fax: 864-834-3518 • www.tsbrass.com

This Space for Architect/Engineer Approval

Job Name \_\_\_\_\_ Date \_\_\_\_\_

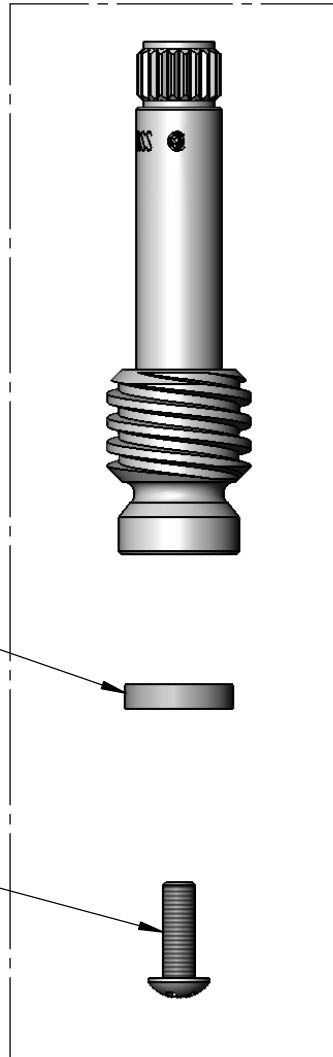
Model Specified \_\_\_\_\_ Quantity \_\_\_\_\_

Customer/Wholesaler \_\_\_\_\_

Contractor \_\_\_\_\_

Architect/Engineer \_\_\_\_\_

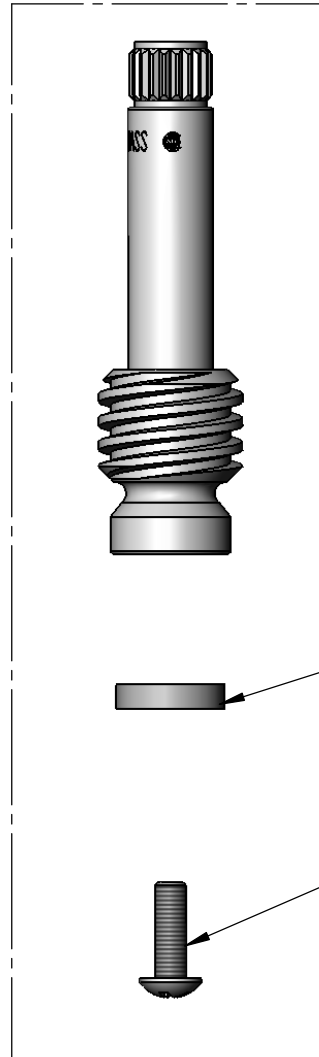
000795-25  
 Spindle, RTC  
 (Qty 1)



001087-45  
 Seat Washer

000933-45  
 Seat Washer  
 Screw

000796-25  
 Spindle, LTC  
 (Qty 1)



001087-45  
 Seat Washer

000933-45  
 Seat Washer  
 Screw

Product Specifications:  
 B-0230 "Old Style" Faucet Parts Kit

Product Compliance:  
 NSF 61 - Section 9  
 NSF 372 (Low Lead Content)