



Architect/Engineering Specifications:

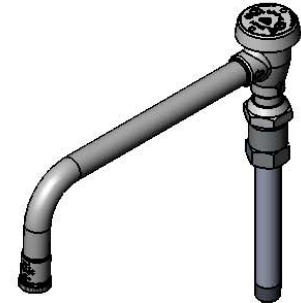
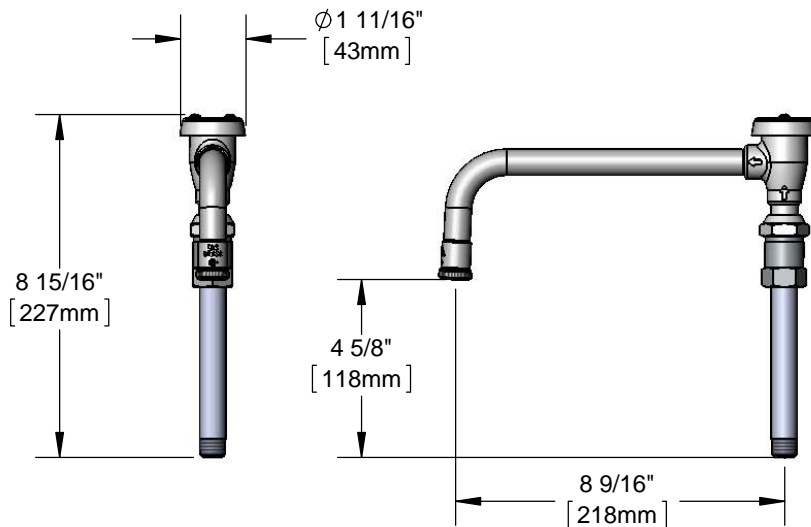
Rigid gooseneck with polished chrome plated brass riser and nozzle, rigid to swivel adapter, atmospheric vacuum breaker and stream regulator outlet. Certified to ASME A112.18.1/CSA B125.1, NSF 61-Section 9, NSF 372 and ASSE 1001.

Job Name _____

Model Specified _____ Quantity _____

Variations Specified _____

Date _____



Features & Benefits:

- Polished chrome plated brass rigid gooseneck
- 5" riser
- Rigid to swivel adapter
- 3/8" NPT atmospheric vacuum breaker not for continuous pressure
- 8 5/8" spread swing nozzle
- Stream regulator outlet, Series 2
- Material: Polished chrome plated brass tubular nozzle and riser

Product Compliance:

- ASME A112.18.1 / CSA B125.1
- NSF 61 - Section 9
- NSF 372 (Low Lead Content)
- ASSE 1001 (VB)

Warranty: One Year (Limited)

Performance Data:

- Pressure: 20 - 125 psi
- Temperature: 40 °F - °F
- Flow Rate: 12.80 GPM @ 60 psi

