



T&S BRASS AND BRONZE WORKS, INC.

2 Saddleback Cove / P.O. Box 1088
Travelers Rest, SC 29690

Model No.

B-0718

Item No.

Travelers Rest, SC: 800-476-4103 • Simi Valley, CA: 800-423-0150 • Fax: 864-834-3518 • www.tsbrass.com



ADA Compliant

This Space for Architect/Engineer Approval

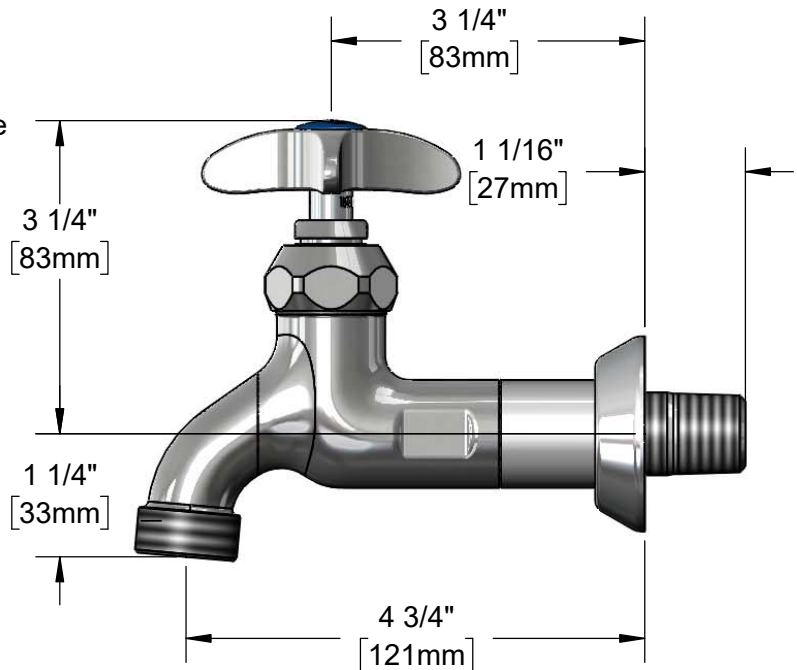
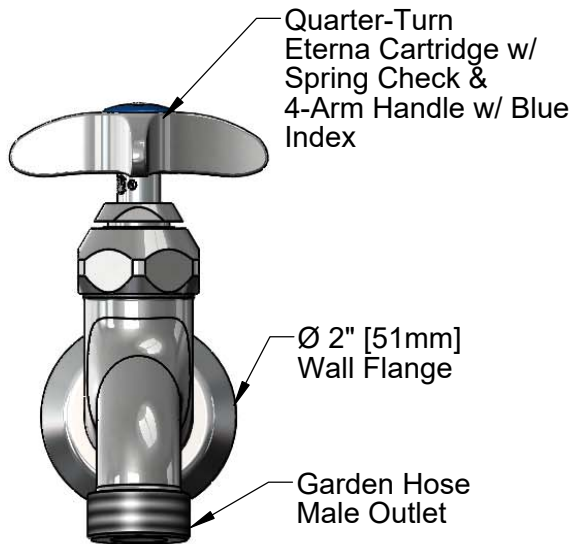
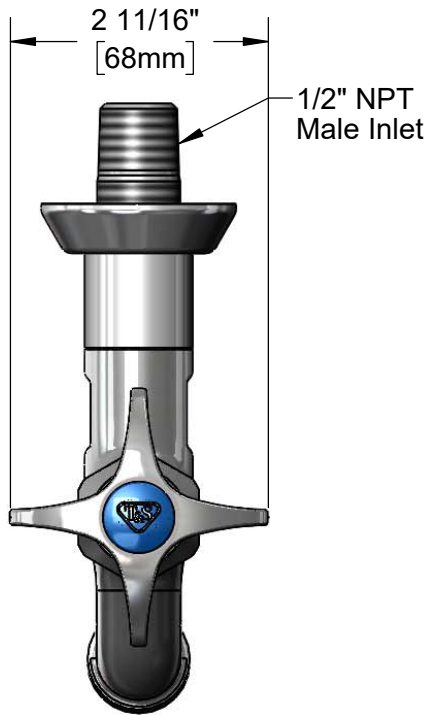
Job Name _____ Date _____

Model Specified _____ Quantity _____

Customer/Wholesaler _____

Contractor _____

Architect/Engineer _____



Rough-In Requirement:
Ø 1" [25mm] Mounting Hole

Product Specifications:

Single Sink Wall Mount Faucet, Quarter-Turn Eterna Cartridge w/ Spring Check, 4-Arm Handle w/ Blue Color Coded Index, Garden Hose Male Outlet, Adjustable Wall Flange & 1/2" NPT Male Inlet

Product Compliance:

ASME A112.18.1 / CSA B125.1
NSF 61 - Section 9
NSF 372 (Low Lead Content)
ANSI A117.1 (ADA)



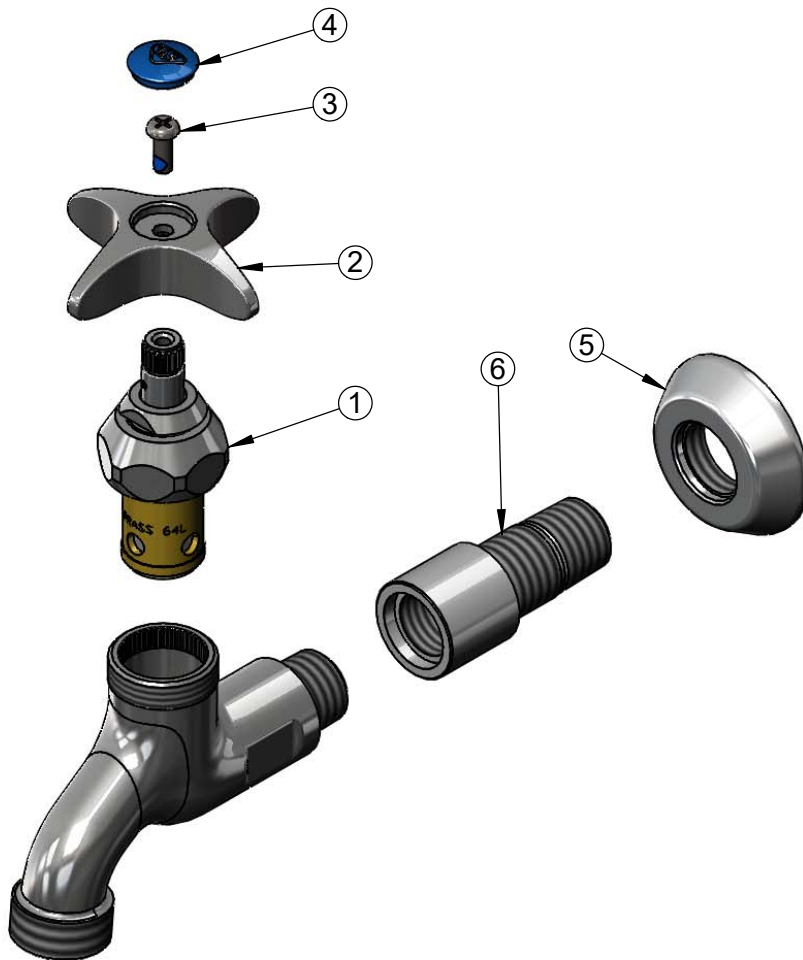
T&S BRASS AND BRONZE WORKS, INC.
 2 Saddleback Cove / P.O. Box 1088
 Travelers Rest, SC 29690

Model No.
B-0718

Item No.

Travelers Rest, SC: 800-476-4103 • Simi Valley, CA: 800-423-0150 • Fax: 864-834-3518 • www.tsbrass.com

ITEM NO.	SALES NO.	DESCRIPTION
1	012443-40NS	Quarter-Turn Eterna Cartridge w/ Spring Check, RTC
2	002521-45NS	4-Arm Handle (New Style)
3	000925-45	Lab Handle Screw
4	018506-19NS	Blue Button Index, Press-in
5	000023-40	Adjustable Wall Flange
6	005339-40	Nipple, B-0715



Product Specifications:

Single Sink Wall Mount Faucet, Quarter-Turn Eterna Cartridge w/ Spring Check, 4-Arm Handle w/ Blue Color Coded Index, Garden Hose Male Outlet, Adjustable Wall Flange & 1/2" NPT Male Inlet

Product Compliance:

ASME A112.18.1 / CSA B125.1
 NSF 61 - Section 9
 NSF 372 (Low Lead Content)
 ANSI A117.1 (ADA)