

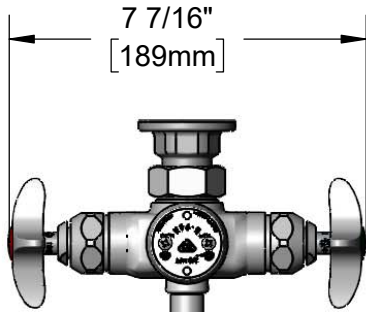


**T&S BRASS AND BRONZE WORKS, INC.**  
 2 Saddleback Cove / P.O. Box 1088  
 Travelers Rest, SC 29690

Model No.  
**BL-5735-08**

Item No.

Travelers Rest, SC: 800-476-4103 • Simi Valley, CA: 800-423-0150 • Fax: 864-834-3518 • www.tsbrass.com



**ADA Compliant**

This Space for Architect/Engineer Approval

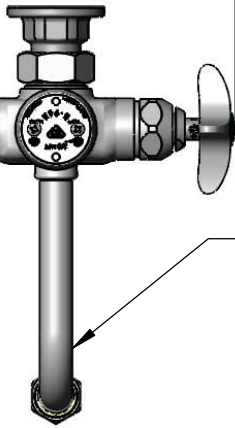
Job Name \_\_\_\_\_ Date \_\_\_\_\_

Model Specified \_\_\_\_\_ Quantity \_\_\_\_\_

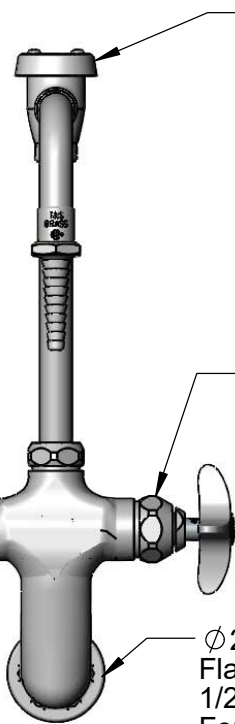
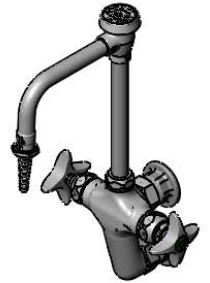
Customer/Wholesaler \_\_\_\_\_

Contractor \_\_\_\_\_

Architect/Engineer \_\_\_\_\_



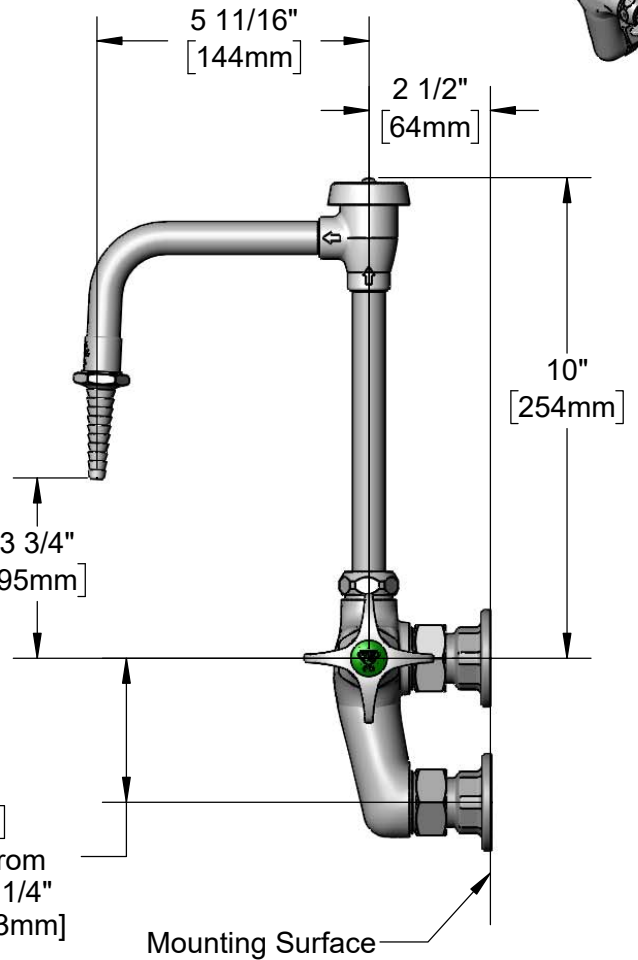
Swing Nozzle w/  
 Vacuum Breaker &  
 B-0198-FD05  
 Serrated Tip w/ 0.5 GPM  
 Flow Control & Washer.  
 Rigid Conversion Requires  
 014200-45 Lock Washer  
 (Included)



B-0968  
 3/8" NPT Vacuum  
 Breaker

Quarter-Turn  
 Eterna Cartridges w/  
 Spring Checks &  
 4-Arm Handles w/  
 Color Coded Indexes

Ø2" [51mm]  
 Flange w/  
 1/2" NPT  
 Female Inlet



**Product Specifications:**

Wall Mount Mixing Faucet, Quarter-Turn Eterna Cartridges w/ Spring Checks, Rigid/Swivel Nozzle w/ Serrated Tip & 0.5 GPM Flow Control, Vacuum Breaker, 4-Arm Lab Handles and 1/2" NPT Female Adjustable Inlets

**Product Compliance:**

ASME A112.18.1 / CSA B125.1  
 NSF 61 - Section 9  
 NSF 372 (Low Lead Content)  
 ANSI A117.1 (ADA)  
 ASSE 1001 (VB)



**T&S BRASS AND BRONZE WORKS, INC.**

2 Saddleback Cove / P.O. Box 1088  
Travelers Rest, SC 29690

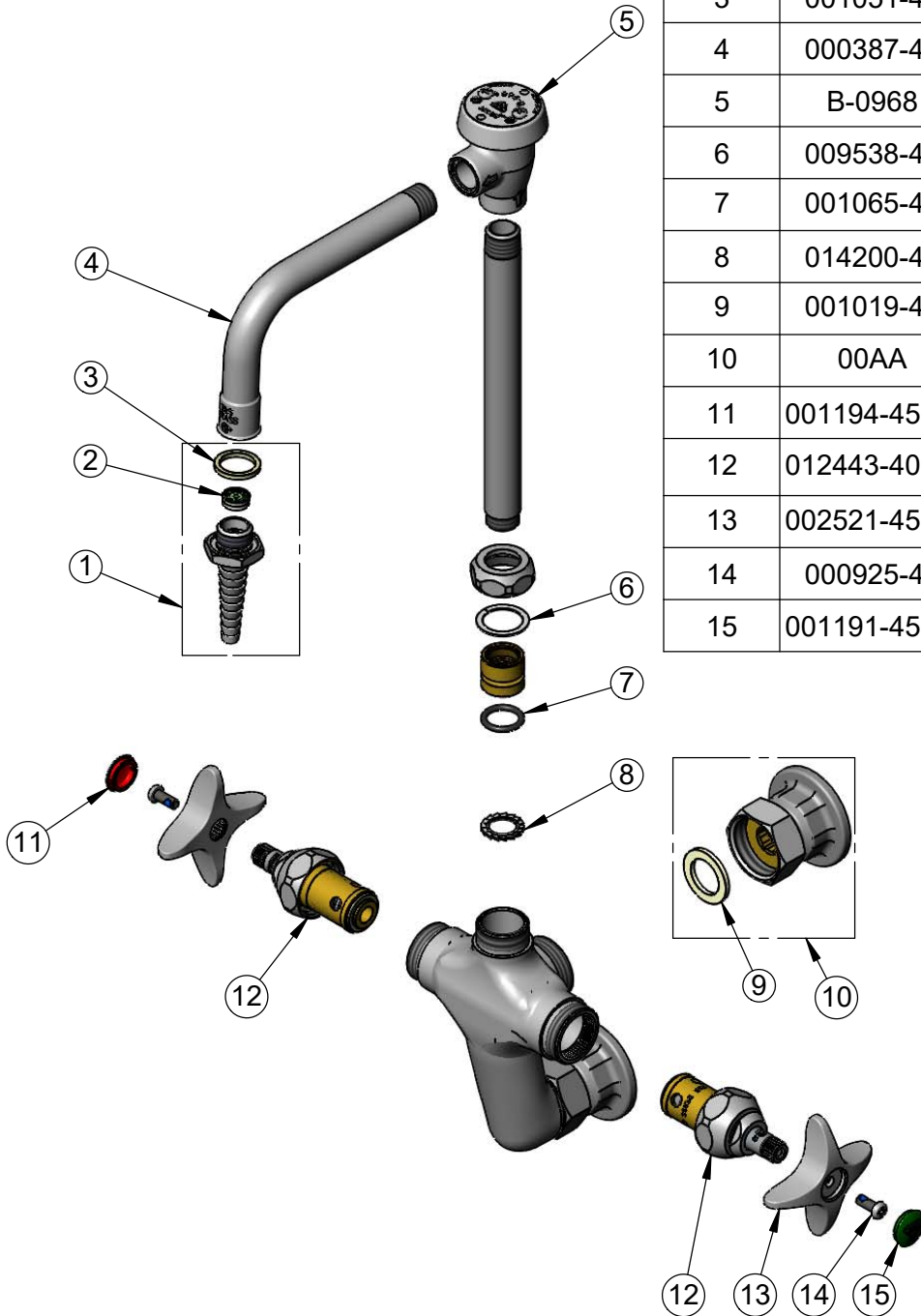
Model No.

**BL-5735-08**

Item No.

Travelers Rest, SC: 800-476-4103 • Simi Valley, CA: 800-423-0150 • Fax: 864-834-3518 • www.tsbrass.com

ITEM NO.	SALES NO.	DESCRIPTION
1	B-0198-FD05	Serrated Tip w/ 0.5 GPM Flow Disc & Washer
2	FD05	Flow Disc, 0.5 GPM [ 1.9 L/min.] (Lime)
3	001051-45	Washer
4	000387-40	Nozzle
5	B-0968	3/8" NPT Vacuum Breaker
6	009538-45	Swivel Washer
7	001065-45	O-Ring
8	014200-45	Star Washer, Anti-Rotation
9	001019-45	Coupling Nut Washer
10	00AA	1/2" NPT Female Eccentric Flange
11	001194-45NS	Red "HW" Lab Button Index
12	012443-40NS	Quarter-Turn Eterna Cartridge w/ Spring Check, RTC
13	002521-45NS	4-Arm Handle (New Style)
14	000925-45	Lab Handle Screw
15	001191-45NS	Green "CW" Lab Button Index



**Product Specifications:**

Wall Mount Mixing Faucet, Quarter-Turn Eterna Cartridges w/ Spring Checks, Rigid/Swivel Nozzle w/ Serrated Tip & 0.5 GPM Flow Control, Vacuum Breaker, 4-Arm Lab Handles and 1/2" NPT Female Adjustable Inlets

**Product Compliance:**

ASME A112.18.1 / CSA B125.1  
NSF 61 - Section 9  
NSF 372 (Low Lead Content)  
ANSI A117.1 (ADA)  
ASSE 1001 (VB)