



# T&S BRASS AND BRONZE WORKS, INC.

2 Saddleback Cove / P.O. Box 1088  
Travelers Rest, SC 29690

Model No.

**B-0113-A10-08**

Item No.

Travelers Rest, SC: 800-476-4103 • Simi Valley, CA: 800-423-0150 • Fax: 864-834-3518 • www.tsbrass.com

This Space for Architect/Engineer Approval

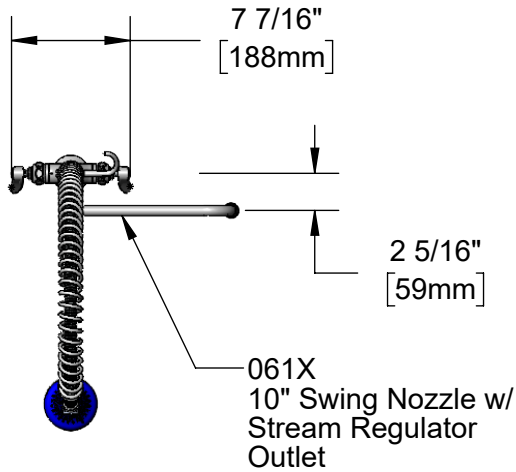
Job Name \_\_\_\_\_ Date \_\_\_\_\_

Model Specified \_\_\_\_\_ Quantity \_\_\_\_\_

Customer/Wholesaler \_\_\_\_\_

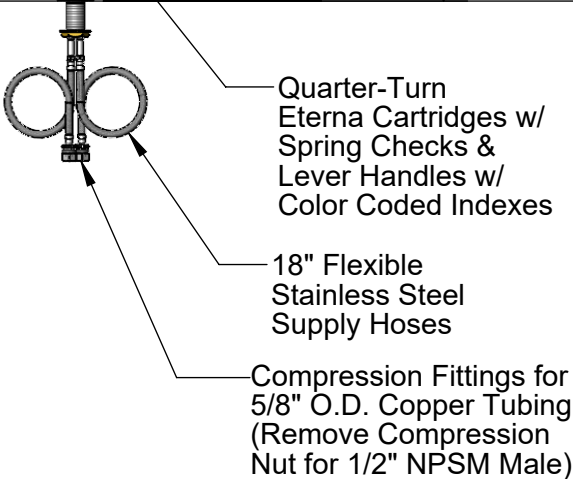
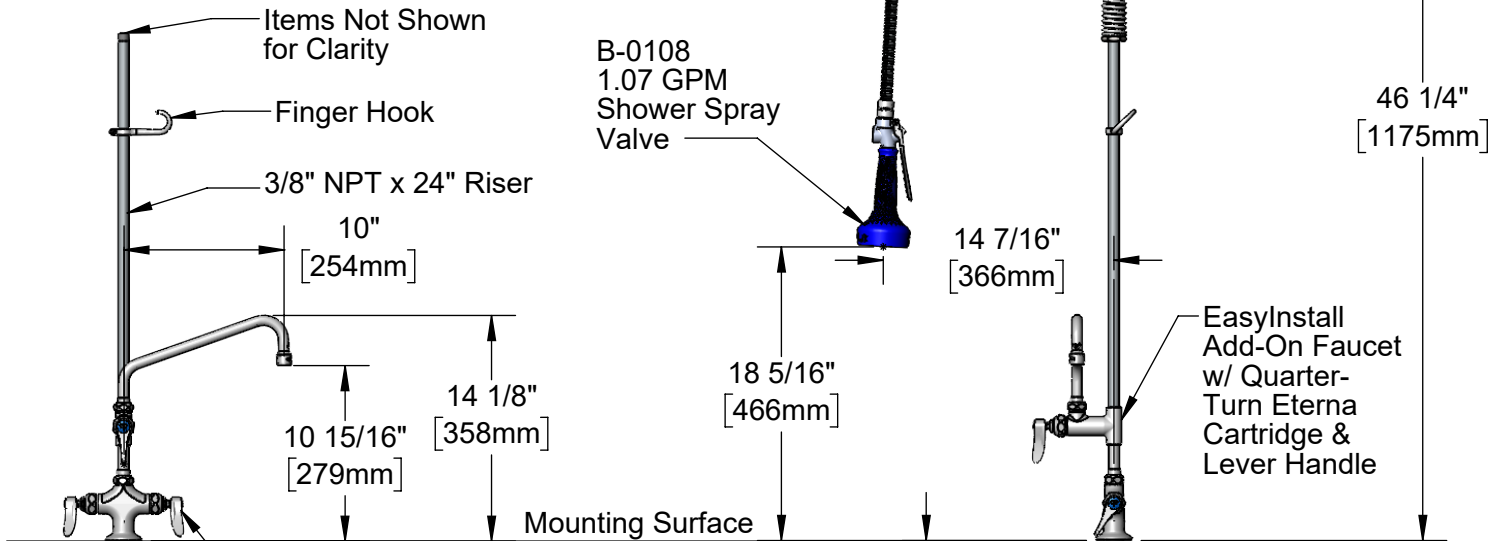
Contractor \_\_\_\_\_

Architect/Engineer \_\_\_\_\_



44" Flexible  
Stainless Steel  
Hose w/ Spring  
& Spray Valve

B-0108  
1.07 GPM  
Shower Spray  
Valve



Rough-In Requirement:  
Ø 1 1/2" [38mm] Mounting Hole

**Product Specifications:**

EasyInstall Pre-Rinse Unit:  
Single Deck Mount Base Mixing Faucet, Quarter-Turn Eterna Cartridges w/  
Spring Checks, Add-On Faucet w/ 10" Swivel Nozzle, 24" Riser, 44" Flexible  
Stainless Steel Hose, 1.07 GPM Spray Valve, Flexible Supply Hoses

**Product Compliance:**

ASME A112.18.1 / CSA B125.1  
NSF 61 - Section 9  
NSF 372 (Low Lead Content)  
2019 DOE PRSV - Class II



# T&S BRASS AND BRONZE WORKS, INC.

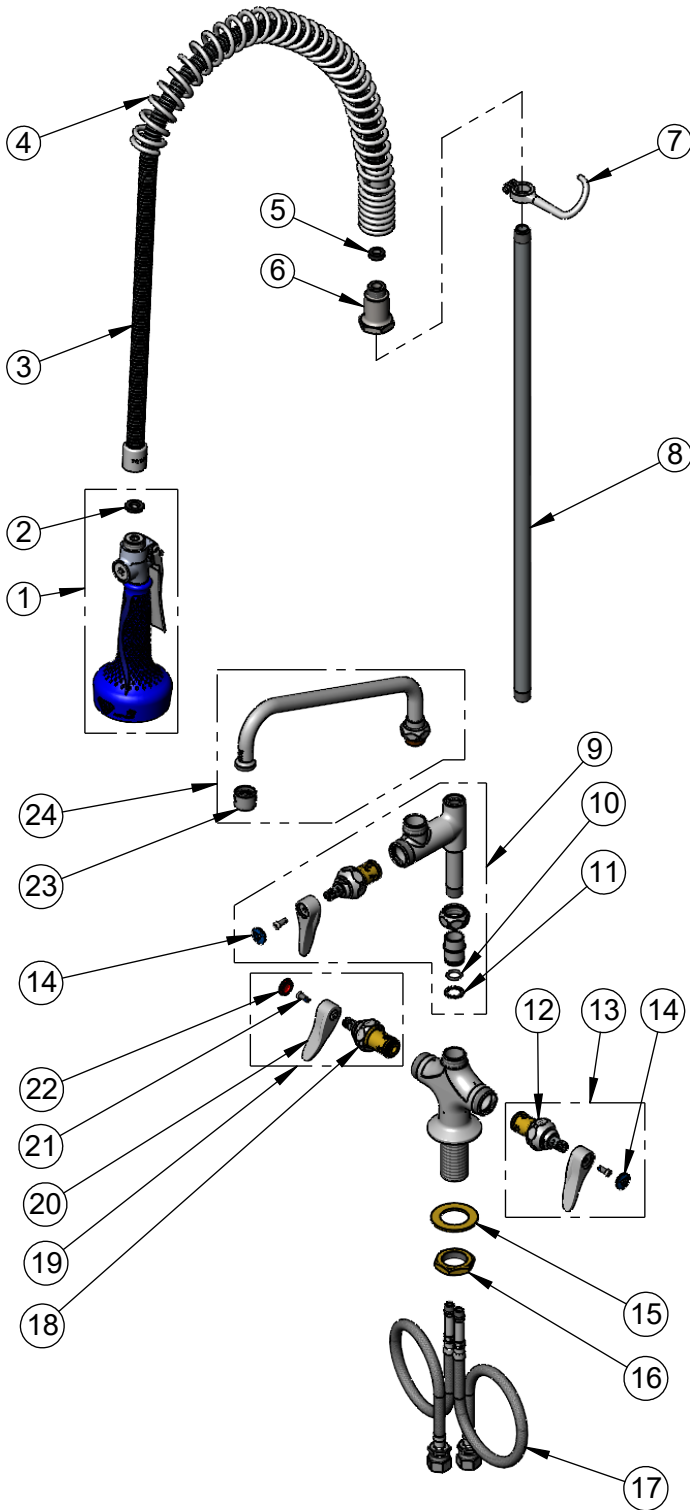
2 Saddleback Cove / P.O. Box 1088  
Travelers Rest, SC 29690

Model No.

**B-0113-A10-08**

Item No.

Travelers Rest, SC: 800-476-4103 • Simi Valley, CA: 800-423-0150 • Fax: 864-834-3518 • www.tsbrass.com



ITEM NO.	SALES NO.	DESCRIPTION
1	B-0108	1.07 GPM Spray Valve w/ Ergo-Grip
2	001014-45	Washer, Hose Barrel
3	B-0044-H2A	44" Flexible Stainless Steel Hose, Less Handle
4	000888-45	EasyInstall Overhead Spring
5	010476-45	#27 Washer
6	000821-40	Spring Body
7	004R	Finger Hook
8	000372-40	3/8" NPT x 24" Riser
9	B-0155-LNEZ	Add-On Faucet w/ Quarter-Turn Eterna Cartridge, RTC & Lever Handle (Less Nozzle)
10	001065-45	O-Ring
11	014200-45	Star Washer, Anti-Rotation
12	012442-40NS	Quarter-Turn Eterna Cartridge w/ Spring Check, LTC
13	002711-40NS	Quarter-Turn Eterna Cartridge w/ Spring Check, Handle, Blue Index & Screw, LTC
14	018506-19NS	Blue Button Index, Press-in
15	002290-45	Lock Washer
16	000965-45	Lock Nut
17	012534-45	18" Flexible Supply Hose (2)
18	012443-40NS	Quarter-Turn Eterna Cartridge w/ Spring Check, RTC
19	002712-40NS	Quarter-Turn Eterna Cartridge w/ Spring Check, Handle, Red Index & Screw, RTC
20	001638-45NS	Lever Handle (New Style)
21	000925-45	Lab Handle Screw
22	001193-19NS	Red Button Index, Press-in
23	B-PT	Full Flow Stream Regulator, 55/64-27
24	061X	Swing Nozzle

**Product Specifications:**

EasyInstall Pre-Rinse Unit:  
Single Deck Mount Base Mixing Faucet, Quarter-Turn Eterna Cartridges w/ Spring Checks, Add-On Faucet w/ 10" Swivel Nozzle, 24" Riser, 44" Flexible Stainless Steel Hose, 1.07 GPM Spray Valve, Flexible Supply Hoses

**Product Compliance:**

ASME A112.18.1 / CSA B125.1  
NSF 61 - Section 9  
NSF 372 (Low Lead Content)  
2019 DOE PRSV - Class II



**Architect/Engineering Specifications:**

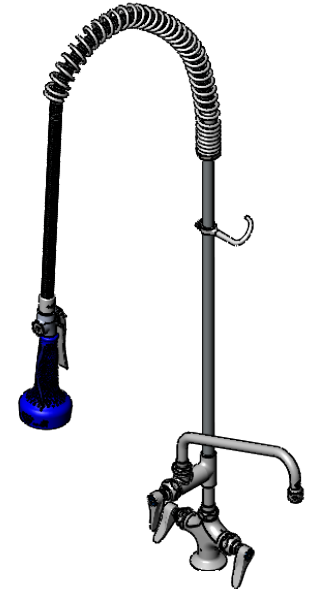
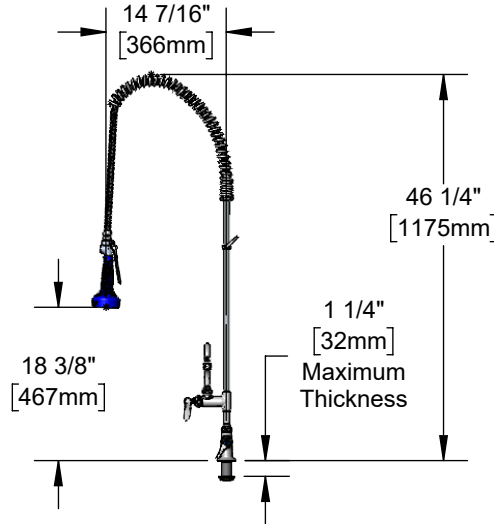
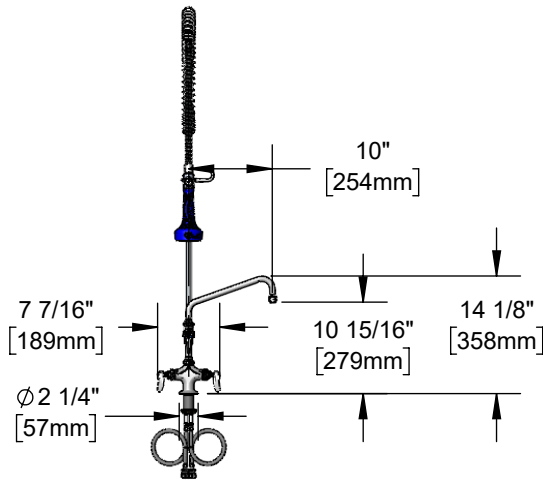
Single hole deck mount mixing faucet with polished chrome plated brass body, add-on faucet with compression cartridge and lever handle, 10" swing nozzle with stream regulator outlet, 24" riser, 44" flexible stainless steel hose, 1.07 GPM spray valve with insulated grip handle, compression cartridges with spring checks, lever handles, 18" flexible stainless steel supply hoses with 1/2" NPSM / 5/8" O.D. compression connections, spray valve holder and overhead spring. Certified to ASME A112.18.1/CSA B125.1, NSF 61-Section 9 and NSF 372. 2019 DOE PRSV - Class II compliant.

Job Name \_\_\_\_\_

Model Specified \_\_\_\_\_ Quantity \_\_\_\_\_

Variations Specified \_\_\_\_\_

Date \_\_\_\_\_



**Features & Benefits:**

- Single hole deck mount w/ polished chrome plated brass body
- EasyInstall add-on faucet w/ polished chrome plated brass body
- 10" swing nozzle w/ stream regulator outlet, Series 1
- 24" rigid riser
- 44" flexible stainless steel hose
- 1.07 GPM JeTSpray spray valve with insulated grip handle, stainless steel trigger and trigger lock
- Quarter-turn Eterna compression cartridges w/ spring checks to prevent cross flow of water
- Lever handles w/ color coded indexes
- 18" flexible stainless steel supply hoses with 1/2" NPSM / 5/8" O.D. compression connections
- Material: Polished chrome plated brass body, add-on faucet, riser and spray valve, stainless steel hose & chrome plated metal handles

**Product Compliance:**

- ASME A112.18.1 / CSA B125.1
- NSF 61 - Section 9
- NSF 372 (Low Lead Content)
- 2019 DOE PRSV - Class II



**Warranty:** Three Year (Limited)

**Performance Data:**

- Pressure: 20 - 125 psi [1.38 - 8.62 bar]
- Temperature: 40 °F - 140 °F [4.44 °C - 60 °C]
- Flow Rate:
  - Spray Valve: 1.07 GPM [4.05 L/min] @ 60 psi [4.14 bar]
  - Add-On Faucet: 5.57 GPM [21.08 L/min] @ 60 psi [4.14 bar]

**Optional Add-On Faucet Outlets (Series 1 / VR Series 6)**

GPM	Aerated	VR Aerated (VR Laminar)
1.0	<input type="checkbox"/> B-0199-01-F10	<input type="checkbox"/> B-0199-06-F10
1.5	<input type="checkbox"/> B-0199-01-WS	<input type="checkbox"/> B-0199-06-WS
2.2	<input type="checkbox"/> B-0199-01	<input type="checkbox"/> B-0199-06

**Optional Cartridges With Checks**

- Quarter-Turn Cerama w/ Check Valve
- Quarter-Turn Eterna w/ Spring Check (Standard)

**Optional Handles**

- 4" Wrist Action
- Lever (Standard)
- 4-Arm

**Optional Pre-Rinse Spray Valves**

- B-0107 (1.15 GPM)
- B-0107-C (0.65 GPM)
- B-0107-J (1.07 GPM)
- B-0108 (1.07 GPM) (Standard)
- B-0108-C (0.65 GPM)

