



# T&S BRASS AND BRONZE WORKS, INC.

2 Saddleback Cove / P.O. Box 1088  
Travelers Rest, SC 29690

Model No.

**B-0133-CR-B8SWX**

Item No.

Travelers Rest, SC: 800-476-4103 • Simi Valley, CA: 800-423-0150 • Fax: 864-834-3518 • www.tsbrass.com

This Space for Architect/Engineer Approval

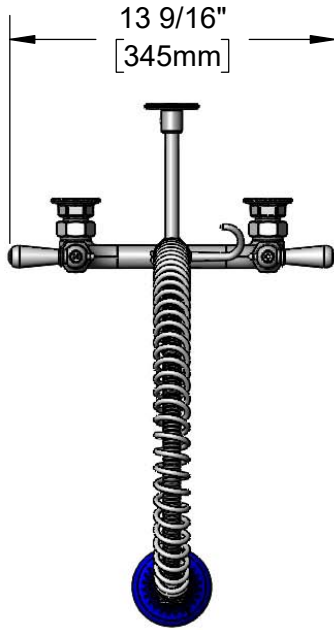
Job Name \_\_\_\_\_ Date \_\_\_\_\_

Model Specified \_\_\_\_\_ Quantity \_\_\_\_\_

Customer/Wholesaler \_\_\_\_\_

Contractor \_\_\_\_\_

Architect/Engineer \_\_\_\_\_



Items Not Shown for Clarity

3/8" NPT x 8" Riser

EasyInstall Lock Nut & Bushing

3 3/4" [96mm]

8" [203mm]

Adjustable from 7 3/4" to 8 1/4" [197mm to 210mm]

Finger Hook

Quarter-Turn Cerama Cartridges w/ Check Valves & Decorative Club Handles w/ Indexes

Ø 2" [51mm] Flanges w/ 1/2" NPT Female Inlets

32" Flexible Stainless Steel Hose

018200-40 Pre-Rinse Swivel

B-0108 1.07 GPM Spray Valve

B-0109-01 6" Wall Bracket

6 7/16" [163mm]

13 13/16" [351mm]

Mounting Surface

23 5/16" [592mm]

2 3/8" [61mm]

### Product Specifications:

Pre-Rinse Unit: EasyInstall 8" Wall Mount Mixing Faucet, Quarter-Turn Cerama Cartridges w/ Check Valves, 32" Flexible Stainless Steel Hose, 1.07 GPM JeTSpray Valve, Swivel, Decorative Club Handles, 8" Riser, 6" Wall Bracket & 1/2" NPT Female Inlets

### Product Compliance:

ASME A112.18.1 / CSA B125.1  
NSF 61 - Section 9  
NSF 372 (Low Lead Content)  
2019 DOE PRSV - Class II

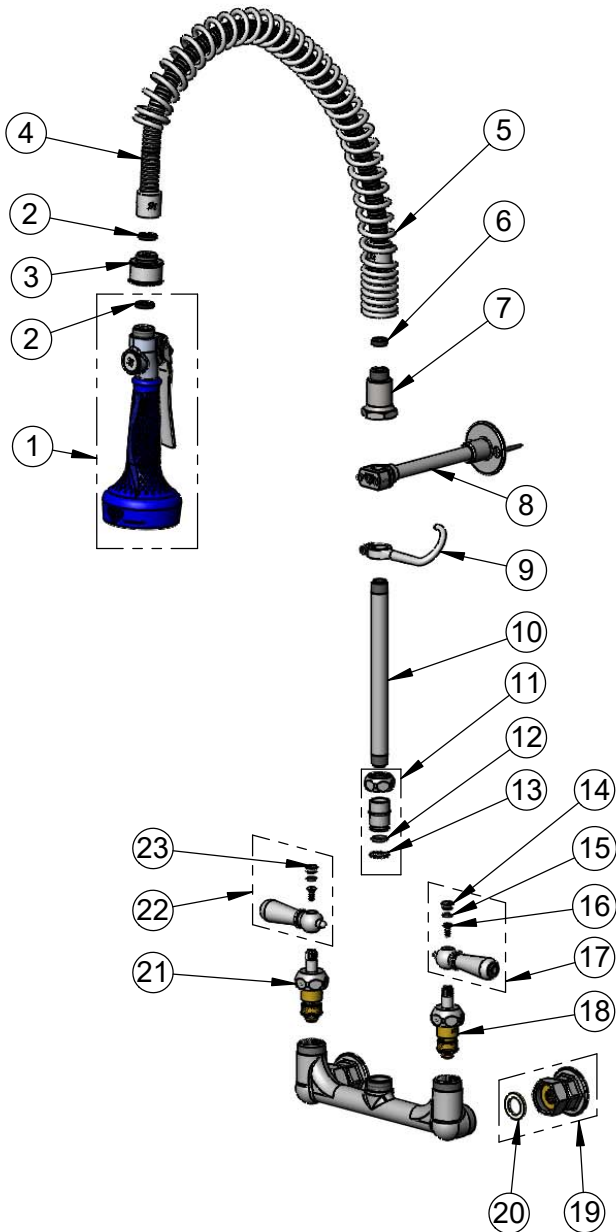


**T&S BRASS AND BRONZE WORKS, INC.**  
 2 Saddleback Cove / P.O. Box 1088  
 Travelers Rest, SC 29690

Model No.  
**B-0133-CR-B8SWX**

Item No.

Travelers Rest, SC: 800-476-4103 • Simi Valley, CA: 800-423-0150 • Fax: 864-834-3518 • www.tsbrass.com



ITEM NO.	SALES NO.	DESCRIPTION
1	B-0108	1.07 GPM JeTSpray Valve w/ Ergo-Grip
2	001014-45	Washer, B-0100 Hose Barrel
3	018200-40	Pre-Rinse Swivel w/ 2 Washers
4	B-0032-H2A	32" Flexible Stainless Steel Hose, Less Handle
5	000888-45	EasyInstall Overhead Spring
6	010476-45	#27 Washer
7	000821-40	Spring Body
8	B-0109-01	6" Wall Bracket
9	004R	Finger Hook
10	078X	Nipple, 3/8" NPT x 8"
11	EZ-K	EasyInstall Kit
12	001065-45	O-ring
13	014200-45	Star Washer, Anti-Rotation
14	009304-41	Decorative Cap Insert, Cold
15	001066-45	O-ring
16	000922-45	Lever Handle Screw
17	009331-41	Decorative Club Handle Kit, Cold
18	012395-25NS	Quarter-Turn Cerama Cartridge w/ Check Valve, LTC
19	00AA	1/2" NPT Female Eccentric Flange
20	001019-45	Coupling Nut Washer
21	012394-25NS	Quarter-Turn Cerama Cartridge w/ Check Valve, RTC
22	009332-41	Decorative Club Handle Kit, Hot
23	009303-41	Decorative Cap Insert, Hot

**Product Specifications:**

Pre-Rinse Unit: EasyInstall 8" Wall Mount Mixing Faucet, Quarter-Turn Cerama Cartridges w/ Check Valves, 32" Flexible Stainless Steel Hose, 1.07 GPM JeTSpray Valve, Swivel, Decorative Club Handles, 8" Riser, 6" Wall Bracket & 1/2" NPT Female Inlets

**Product Compliance:**

ASME A112.18.1 / CSA B125.1  
 NSF 61 - Section 9  
 NSF 372 (Low Lead Content)  
 2019 DOE PRSV - Class II