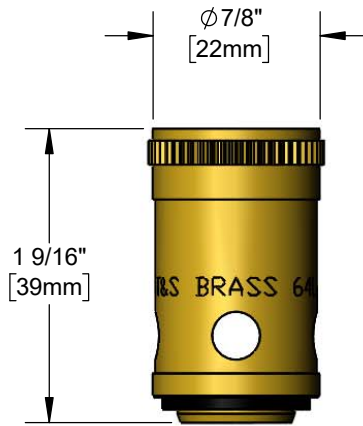




Architect/Engineering Specifications:

Removable RTC Eterna insert with washer, fits all standard T&S Faucets. Certified to NSF 61-Section 9 and NSF 372.

Job Name _____
 Model Specified _____ Quantity _____
 Variations Specified _____
 Date _____



Features & Benefits:

- Removable RTC Eterna insert
- Washer included
- Fits all standard T&S faucets

Product Compliance:

- NSF 61 - Section 9
- NSF 372 (Low Lead Content)



Warranty: One Year (Limited)



Performance Data:

- N/A

