



Architect/Engineering Specifications:

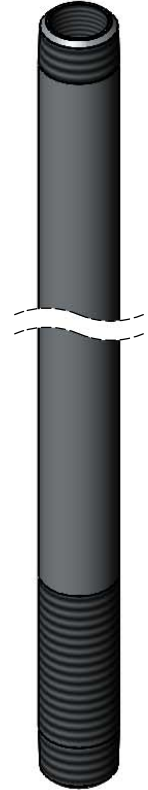
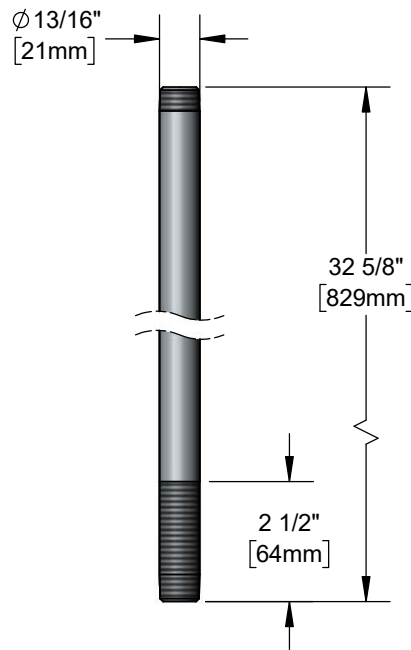
Polished chrome plated brass 32 5/8" riser with 1/2" NPT and 1/2" NPSL male threads. Certified to NSF 61-Section 9 and NSF 372.

Job Name _____

Model Specified _____ Quantity _____

Variations Specified _____

Date _____



Features & Benefits:

- Chrome plated 32 5/8" riser
- 1/2" NPT & 1/2" NPSL male threads
- Material: Polished chrome plated brass

Product Compliance:

- NSF 61 - Section 9
- NSF 372 (Low Lead Content)



Warranty: One Year (Limited)



Performance Data:

- N/A

