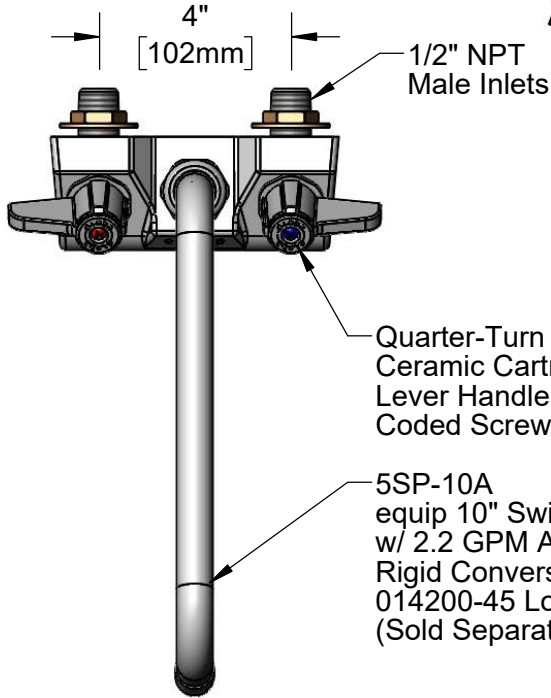




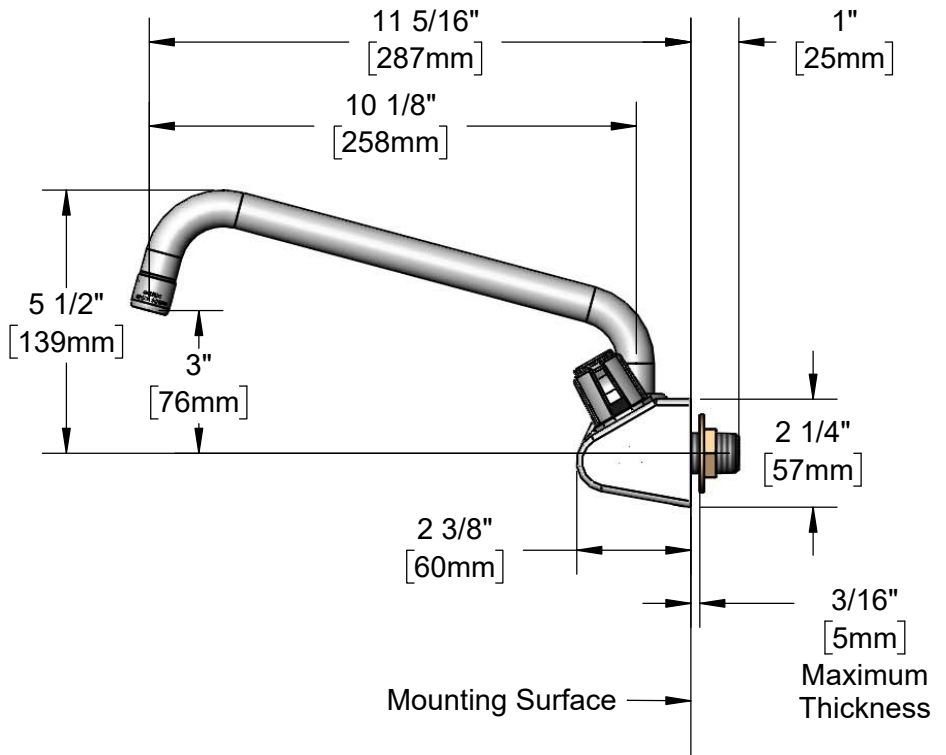
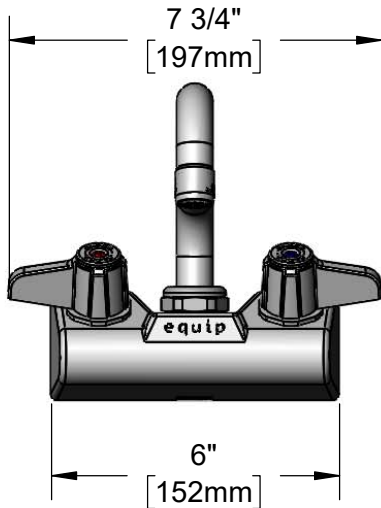
**ADA Compliant**



1/2" NPT Male Inlets

Quarter-Turn Ceramic Cartridges & Lever Handles w/ Color Coded Screws

5SP-10A equip 10" Swing Nozzle w/ 2.2 GPM Aerator. Rigid Conversion Requires 014200-45 Lock Washer (Sold Separately)



Rough-In Requirement:  
(2) Ø 1" [25mm] Mounting Holes

Model Number  
**5F-4WLX10**

Product Compliance:  
ASME A112.18.1 / CSA B125.1  
NSF 61 - Section 9  
NSF 372 (Low Lead Content)  
ANSI A117.1 (ADA)

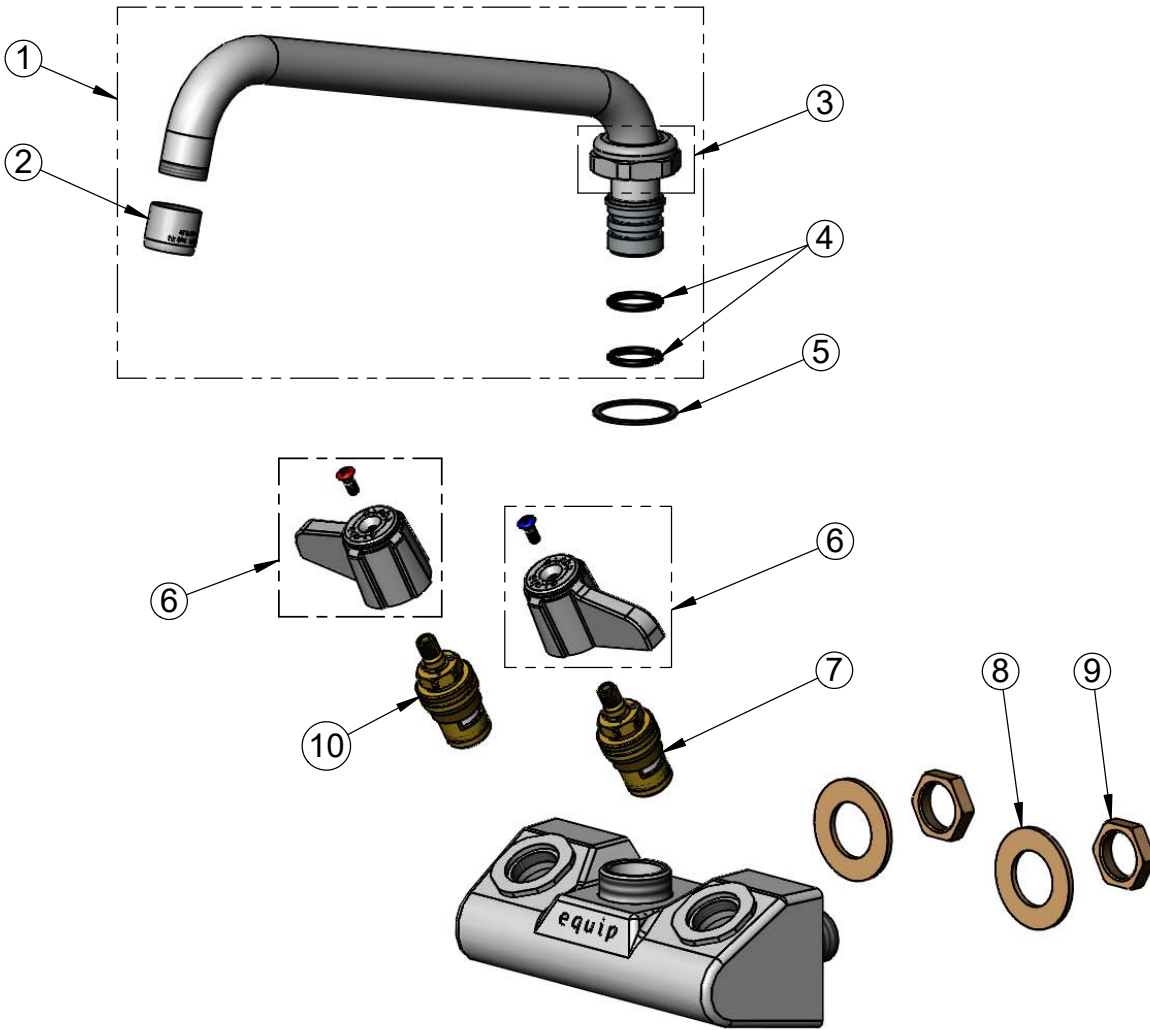
Product Specifications:  
**4" Wall Mount Mixing Faucet, Quarter-Turn Ceramic Cartridges, equip Lever Handles, equip 10" Swing Nozzle w/ 2.2 GPM Aerator & 1/2" NPT Male Inlets**

equip Foodservice Accessories



2 Saddleback Cove, P.O. Box 1088  
Travelers Rest, South Carolina 29690  
Phone: 800.891.4808 Fax: 800.868.0084  
equip.tsbrass.com

ITEM NO.	SALES NO.	DESCRIPTION
1	5SP-10A	equip 10" Swing Nozzle
2	013838-45	2.2 GPM Aerator, 3/4-27 UN Female
3	013839-25	equip Swivel Nut
4	013848-45	equip Swivel Piece O-Ring
5	017587-45	Swivel Nut Seal
6	5-HDL-L	equip Lever Handle w/ Color Coded Screws
7	013788-25	equip Quarter-Turn Ceramic Cartridge, LTC
8	000999-45	Brass Lock Washer
9	002954-45	Shank Lock Nut
10	013787-25	equip Quarter-Turn Ceramic Cartridge, RTC



Model Number

**5F-4WLX10**

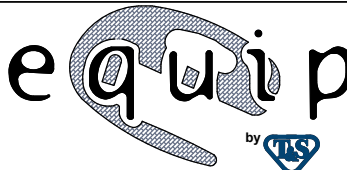
Product Specifications:

4" Wall Mount Mixing Faucet, Quarter-Turn Ceramic Cartridges, equip Lever Handles, equip 10" Swing Nozzle w/ 2.2 GPM Aerator & 1/2" NPT Male Inlets

Product Compliance:

ASME A112.18.1 / CSA B125.1  
NSF 61 - Section 9  
NSF 372 (Low Lead Content)  
ANSI A117.1 (ADA)

equip  
Foodservice  
Accessories



2 Saddleback Cove, P.O. Box 1088  
Travelers Rest, South Carolina 29690  
Phone: 800.891.4808 Fax: 800.868.0084  
equip.tsbrass.com