



T&S BRASS AND BRONZE WORKS, INC.
 2 Saddleback Cove / P.O. Box 1088
 Travelers Rest, SC 29690

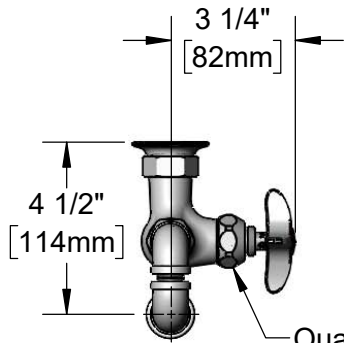
Model No.
B-0169-01

Item No.

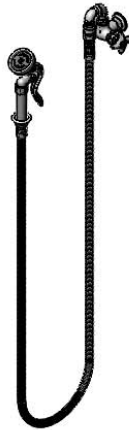
Travelers Rest, SC: 800-476-4103 • Simi Valley, CA: 800-423-0150 • Fax: 864-834-3518 • www.tsbrass.com

This Space for Architect/Engineer Approval

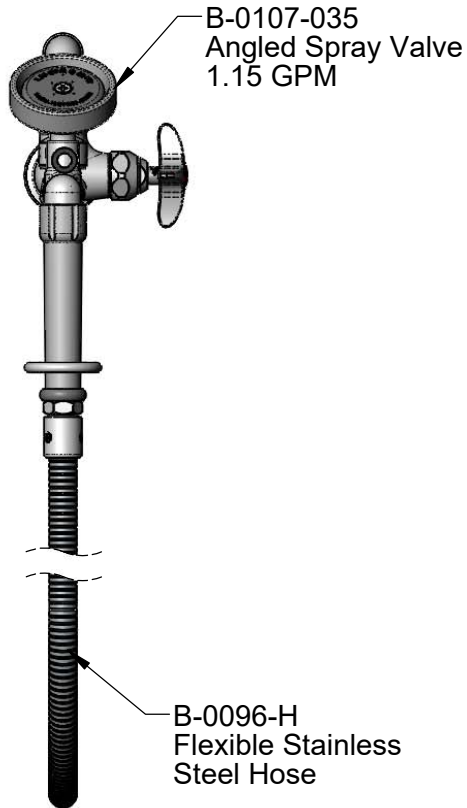
Job Name _____ Date _____
 Model Specified _____ Quantity _____
 Customer/Wholesaler _____
 Contractor _____
 Architect/Engineer _____



Quarter-Turn Eterna Cartridge w/ Spring Check & 4-Arm Handle w/ Color Coded Index (Red)

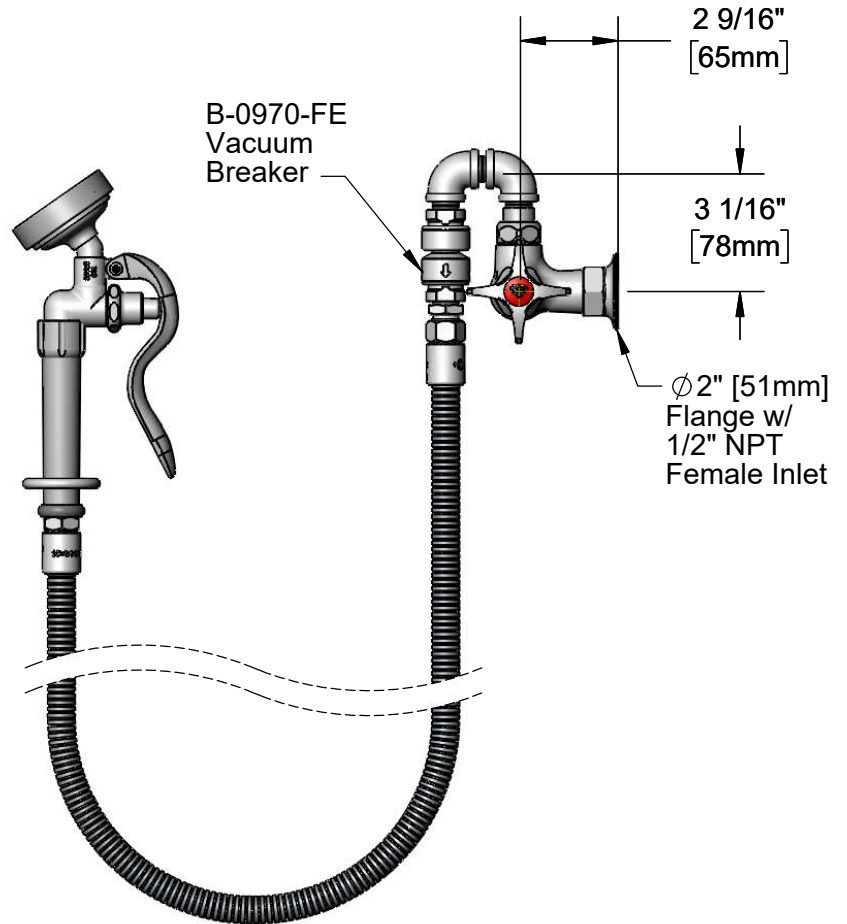


B-0166 Wall Hook



B-0107-035 Angled Spray Valve 1.15 GPM

B-0096-H Flexible Stainless Steel Hose



B-0970-FE Vacuum Breaker

Ø2" [51mm] Flange w/ 1/2" NPT Female Inlet

Product Specifications:

Wall Mount Single Faucet, Quarter-Turn Eterna Cartridge w/ Spring Check, 96" Flexible Stainless Steel Hose w/ 1.15 GPM Angled Spray Valve, 4-Arm Handle, Vacuum Breaker, Wall Hook & 1/2" NPT Female Inlet

Product Compliance:

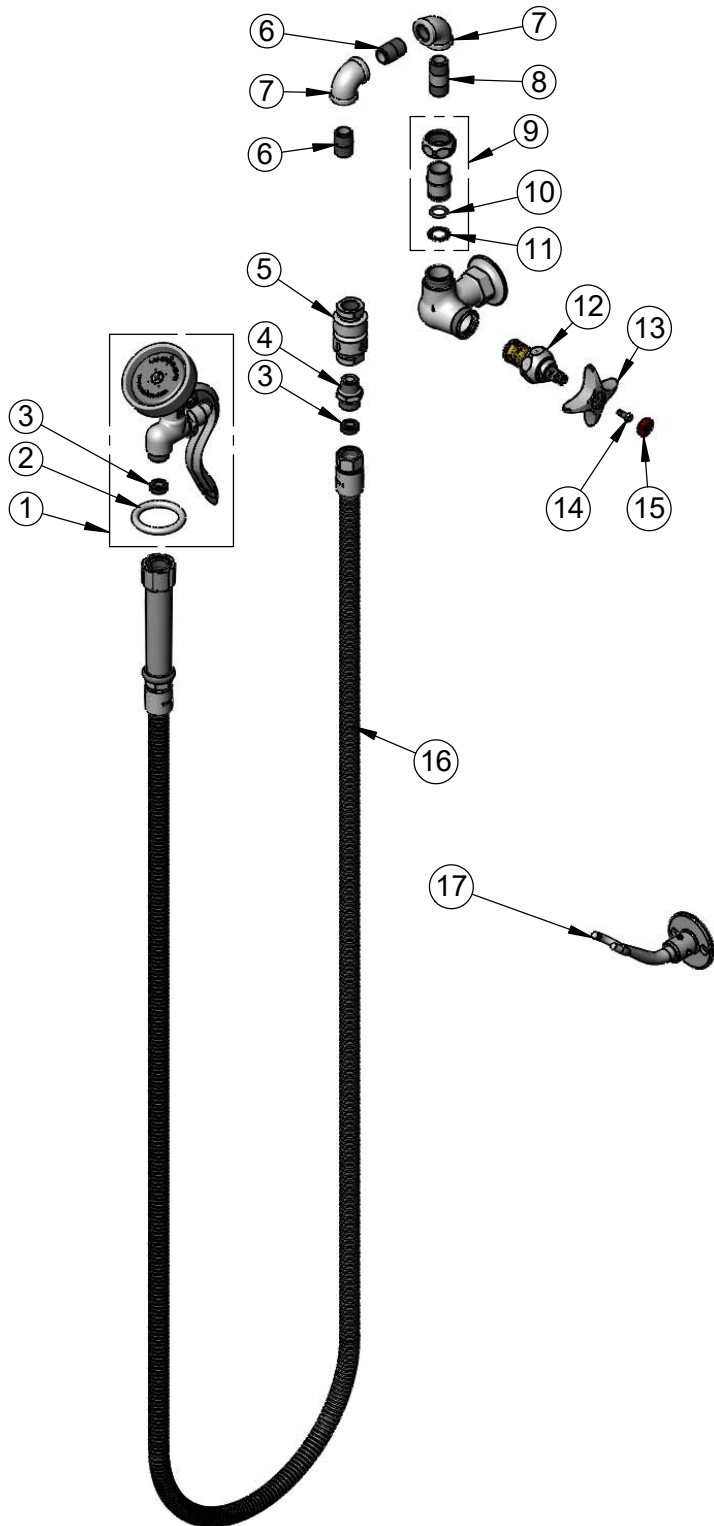
ASME A112.18.1 / CSA B125.1
 NSF 61 - Section 9
 NSF 372 (Low Lead Content)
 2019 DOE PRSV - Class II
 CSA B64.8 (VB)



T&S BRASS AND BRONZE WORKS, INC.
 2 Saddleback Cove / P.O. Box 1088
 Travelers Rest, SC 29690

Model No.
B-0169-01
 Item No.

Travelers Rest, SC: 800-476-4103 • Simi Valley, CA: 800-423-0150 • Fax: 864-834-3518 • www.tsbrass.com



ITEM NO.	SALES NO.	DESCRIPTION
1	B-0107-035	1.15 GPM Gray Angled Spray Valve
2	000907-45	Spray Valve Hold Down Ring
3	010476-45	#27 Washer
4	053A	Adapter, 3/8" NPT Male
5	B-0970-FE	3/8" NPT Vacuum Breaker
6	002535-25	3/8" Close Nipple
7	001355-40	Elbow, 3/8 NPT
8	002341-40	Nipple, 3/8" NPT x 1-1/2"
9	EZ-K	EasyInstall Kit
10	006562-45	O-ring
11	014200-45	Star Washer, Anti-Rotation
12	012443-40NS	Quarter-Turn Eterna Cartridge w/ Spring Check, RTC
13	002521-45NS	4-Arm Handle (New Style)
14	000925-45	Lab Handle Screw
15	001193-19NS	Red Button Index, Press-in
16	B-0096-H	96" Flexible Stainless Steel Hose
17	B-0166	Wall Hook w/ Mounting Hardware

Product Specifications:

Wall Mount Single Faucet, Quarter-Turn Eterna Cartridge w/ Spring Check, 96" Flexible Stainless Steel Hose w/ 1.15 GPM Angled Spray Valve, 4-Arm Handle, Vacuum Breaker, Wall Hook & 1/2" NPT Female Inlet

Product Compliance:

ASME A112.18.1 / CSA B125.1
 NSF 61 - Section 9
 NSF 372 (Low Lead Content)
 2019 DOE PRSV - Class II
 CSA B64.8 (VB)