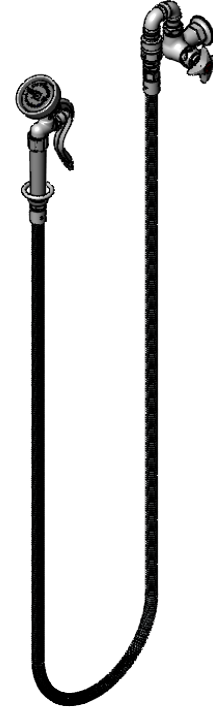
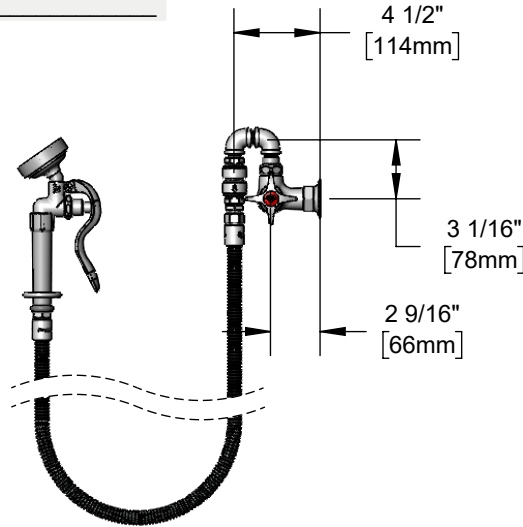
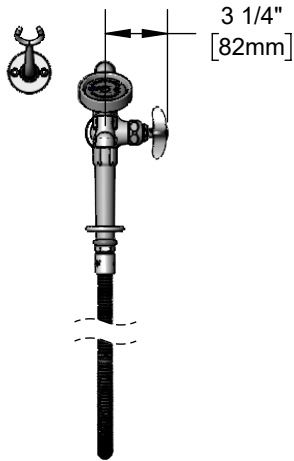




#### Architect/Engineering Specifications:

Single temperature wall mount faucet with polished chrome plated brass body, vacuum breaker, 96" flexible stainless steel hose with heat resistant handle, 1.15 GPM angled spray valve, compression cartridge with spring check, 4-arm handle, 1/2" NPT female inlet and hanger hook. Certified to ASME A112.18.1/CSA B125.1, NSF 61 Section 9, NSF 372 and CSA B64.8. 2019 DOE PRSV - Class II compliant.

Job Name \_\_\_\_\_  
 Model Specified \_\_\_\_\_ Quantity \_\_\_\_\_  
 Variations Specified \_\_\_\_\_  
 Date \_\_\_\_\_



#### Features & Benefits:

- Single temp wall mount faucet with polished chrome plated brass body
- Vacuum breaker
- 96" flexible stainless steel hose w/ heat resistant gray handle and hold down ring
- 1.15 GPM angled spray valve
- Quarter-turn Eterna compression cartridge w/ spring check
- 4-arm handle with color coded index
- 1/2" NPT female eccentric inlet with Ø2" flanges
- Material: Polished chrome plated brass body, inlet, spray valve body, stainless steel hose and chrome plated metal handles

#### Product Compliance:

- ASME A112.18.1 / CSA B125.1
- NSF 61 - Section 9
- NSF 372 (Low Lead Content)
- 2019 DOE PRSV - Class II
- CSA B64.8 (VB)

**Warranty:** One Year (Limited)

#### Performance Data:

- Pressure: 20 - 125 psi [1.38 - 8.62 bar]
- Temperature: 40 °F - 140 °F [4.44 °C - 60 °C]
- Flow Rate: 1.15 GPM [4.35 L/min] @ 60 psi [4.14 bar]



#### Optional Handles

- 4" Wrist Action
- Lever
- 4-Arm (Standard)

#### Optional Cartridges With Checks

- Quarter-Turn Cerama w/ Check Valve
- Quarter-Turn Eterna w/ Spring Check (Standard)

#### Optional Pre-Rinse Spray Valves

- B-0107 (1.15 GPM)
- B-0107-C (0.65 GPM)
- B-0107-J (1.07 GPM)
- B-0108 (1.07 GPM)
- B-0108-C (0.65 GPM)

