



Architect/Engineering Specifications:

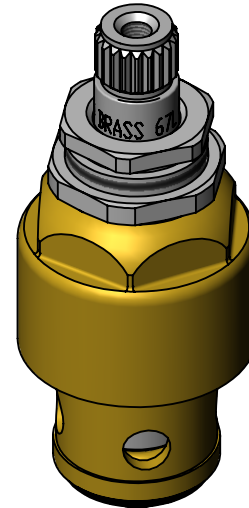
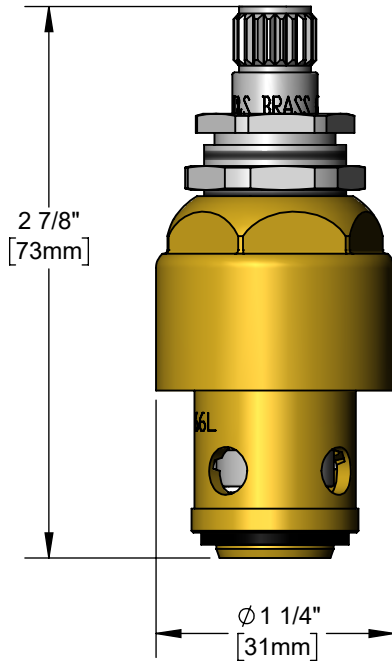
EasyInstall concealed widespread quarter-turn Eterna compression cartridge, LTC with Teflon seat washer. Certified to ASME A112.18.1 / CSA B125.1, NSF 61-Section 9 and NSF 372.

Job Name _____

Model Specified _____ Quantity _____

Variations Specified _____

Date _____



Features & Benefits:

- Concealed widespread EasyInstall quarter-turn Eterna cartridge, LTC w/ teflon seat washer
- Material: Brass

Product Compliance:

- ASME A112.18.1 / CSA B125.1
- NSF 61 - Section 9
- NSF 372 (Low Lead Content)

Warranty: One Year (Limited)

Performance Data:

- Pressure: 20 - 125 psi [1.38 - 8.62 bar]
- Temperature: 40°F - 140°F [4.44°C - 60°C]
- Flow Rate: 7.66 GPM [29 L/min] @ 60 psi [4.14 bar]

