



T&S BRASS AND BRONZE WORKS, INC.

2 Saddleback Cove / P.O. Box 1088
Travelers Rest, SC 29690

Model No.

BL-5704-08W4-VR

Item No.

Travelers Rest, SC: 800-476-4103 • Simi Valley, CA: 800-423-0150 • Fax: 864-834-3518 • www.tsbrass.com



ADA Compliant

This Space for Architect/Engineer Approval

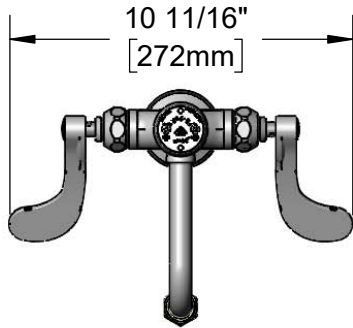
Job Name _____ Date _____

Model Specified _____ Quantity _____

Customer/Wholesaler _____

Contractor _____

Architect/Engineer _____



B-0968
3/8" NPT
Vacuum Breaker

Swivel/Rigid Nozzle w/
Vacuum Breaker &
BL-0198-FD05
Serrated Tip Outlet w/
0.5 GPM Flow Control

Swivel Piece.
Converts to Rigid
w/ 014200-45
Lock Washer
(Included)

3/8" NPT x 7" Riser

Quarter-Turn Eterna
Cartridges w/ Spring
Checks & 4" Wrist
Action Handles w/
Color Coded Indexes &
Vandal Resistant Screws

5 11/16"
[144mm]

12 5/16"
[313mm]

6 1/16"
[154mm]

2 3/8"
[60mm]

Mounting
Surface

Deck Gasket

18" Flexible
Stainless Steel
Supply Hoses

Ø 2 1/4"
[57mm]
Flange

1 5/16"
[34mm]
Maximum
Thickness

Compression Fittings
for 5/8" O.D. Copper Tubing
(Remove Compression Nut
for 1/2" NPSM Male)

Rough-In Requirement:
Ø 1 1/2" [38mm] Mounting Hole

Product Specifications:

Single Hole Deck Mount Laboratory Mixing Faucet, Quarter-Turn Eterna Cartridges w/ Spring Checks, Swivel/Rigid Nozzle w/ Serrated Tip Outlet & 0.5 GPM Flow Control, 3/8" NPT Vacuum Breaker, 4" Wrist Action Handles, VR Screws & 18" Flexible Stainless Steel Supply Hoses w/ 1/2" NPSM Male Inlets

Product Compliance:

ASME A112.18.1 / CSA B125.1
NSF 61 - Section 9
NSF 372 (Low Lead Content)
ASSE 1001 (VB)
ANSI A117.1 (ADA)



T&S BRASS AND BRONZE WORKS, INC.

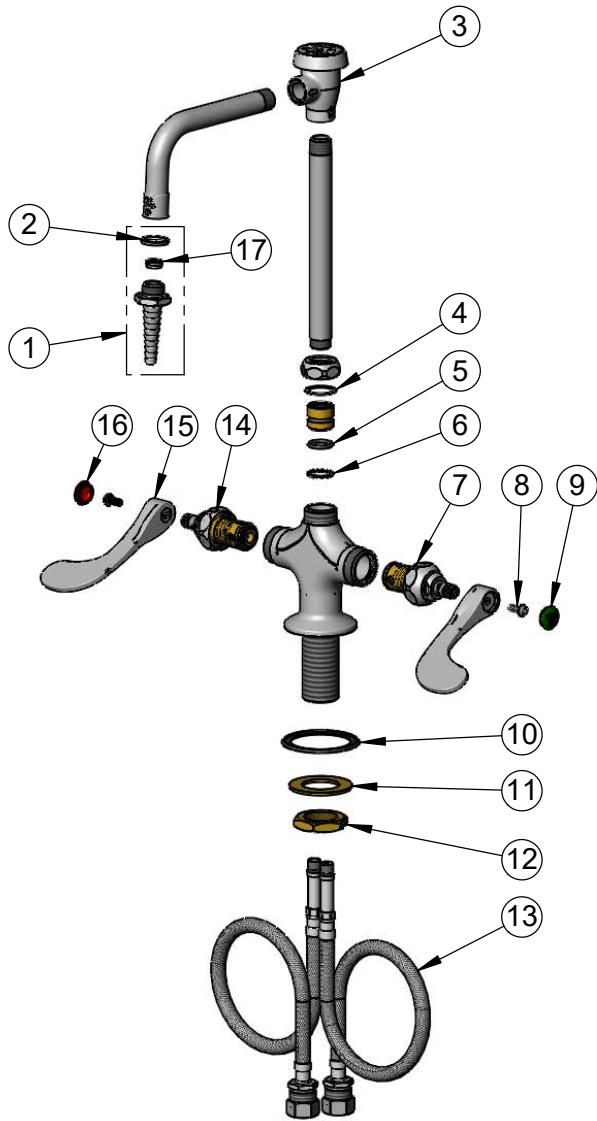
2 Saddleback Cove / P.O. Box 1088
Travelers Rest, SC 29690

Model No.

BL-5704-08W4-VR

Item No.

Travelers Rest, SC: 800-476-4103 • Simi Valley, CA: 800-423-0150 • Fax: 864-834-3518 • www.tsbrass.com



ITEM NO.	SALES NO.	DESCRIPTION
1	B-0198-FD05	Serrated Tip w/ 0.5 GPM Flow Disc & Washer
2	001051-45	Washer
3	B-0968	3/8" NPT Vacuum Breaker
4	009538-45	Swivel Washer
5	001074-45	O-ring
6	014200-45	Star Washer, Anti-Rotation
7	012442-40NS	Quarter-Turn Eterna Cartridge w/ Spring Check, LTC
8	VRS-2	VR Wrist Action Handle Screw (2) w/ Spanner Bit
9	001191-45NS	Green "CW" Lab Button Index
10	145L	Black Plastic Gasket
11	002290-45	Lock Washer
12	000965-45	Lock Nut
13	012534-45	18" Flexible Supply Hose (2)
14	012443-40NS	Quarter-Turn Eterna Cartridge w/ Spring Check, RTC
15	B-WH4-NS	Wrist Action Handle - New Style
16	001194-45NS	Red "HW" Lab Button Index
17	FD05	Flow Disc, 0.5 GPM [1.9 L/min.] (Lime)

014075-45
VR Spanner Bit

Product Specifications:

Single Hole Deck Mount Laboratory Mixing Faucet, Quarter-Turn Eterna Cartridges w/ Spring Checks, Swivel/Rigid Nozzle w/ Serrated Tip Outlet & 0.5 GPM Flow Control, 3/8" NPT Vacuum Breaker, 4" Wrist Action Handles, VR Screws & 18" Flexible Stainless Steel Supply Hoses w/ 1/2" NPSM Male Inlets

Product Compliance:

ASME A112.18.1 / CSA B125.1
NSF 61 - Section 9
NSF 372 (Low Lead Content)
ASSE 1001 (VB)
ANSI A117.1 (ADA)