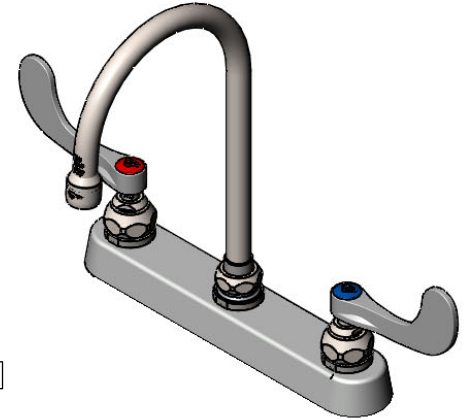
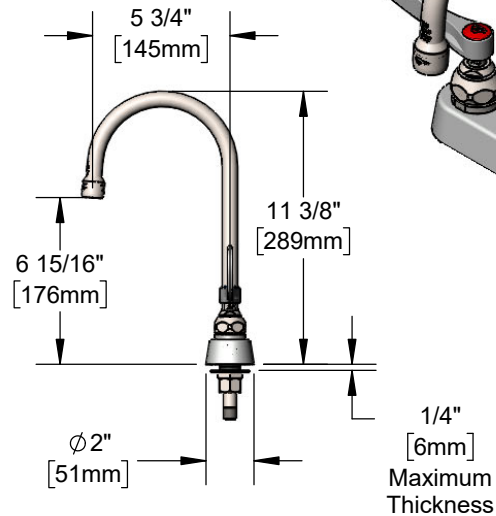
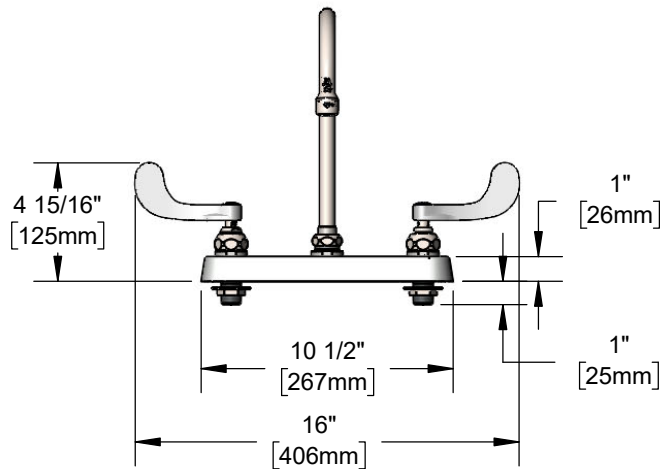




#### Architect/Engineering Specifications:

8" deck mount mixing faucet with stainless steel body, 5 3/4" stainless steel swivel gooseneck with 2.2 GPM stainless steel aerator, stainless steel compression cartridges with spring checks, stainless steel wrist action handles, 1/2" NPT stainless steel male inlets and stainless steel escutcheon. Certified to ASME A112.18.1/CSA B125.1, NSF 61-Section 9 and NSF 372. Meets ADA ANSI/ICC A117.1 requirements.

Job Name \_\_\_\_\_  
 Model Specified \_\_\_\_\_ Quantity \_\_\_\_\_  
 Variations Specified \_\_\_\_\_  
 Date \_\_\_\_\_



#### Features & Benefits:

- 8" deck mount mixing faucet w/ stainless steel body
- 5 3/4" stainless steel swivel gooseneck
- 2.2 GPM stainless steel aerator, Series 1 (S-0199-01)
- Stainless steel quarter-turn Eterna compression cartridges with spring checks to prevent cross flow of water
- 4" stainless steel wrist action handles w/ color coded indexes
- 1/2" NPT stainless steel male inlets
- Stainless steel tailpieces and nuts for 1/4" NPT stainless steel male connections
- Stainless steel escutcheon
- Material: Stainless steel body, tubular spout, handles & escutcheon

#### Product Compliance:

- ASME A112.18.1 / CSA B125.1
- NSF 61 - Section 9
- NSF 372 (Low Lead Content)
- ANSI A117.1 (ADA)



#### Warranty: Lifetime (Limited)

#### Performance Data:

- Pressure: 20 - 125 psi [1.38 - 8.62 bar]
- Temperature: 40 °F - 140 °F [4.44 °C - 60 °C]
- Flow Rate: 2.2 GPM [8.33 L/min] @ 60 psi [4.14 bar]



ADA Compliant

#### Optional SS Handles

- 4" Wrist Action (Standard)
- Lever

