



Architect/Engineering Specifications:

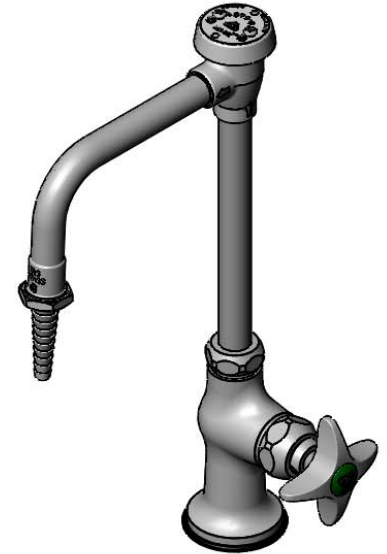
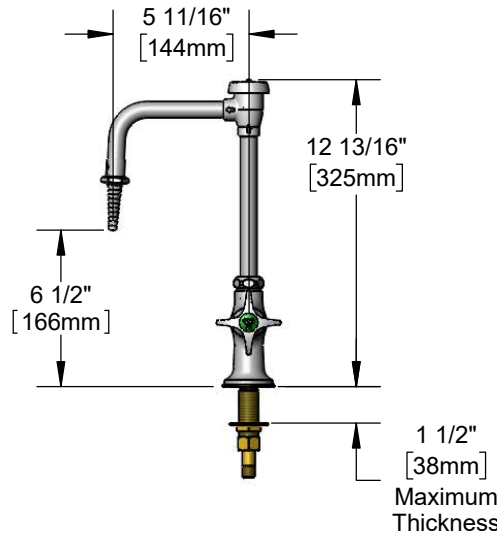
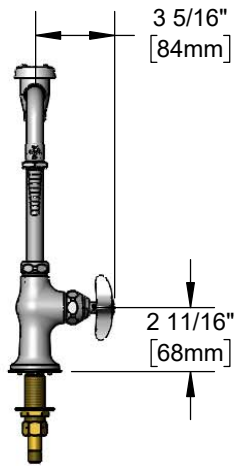
Single hole single temperature deck mount faucet with polished chrome plated brass body, swivel/rigid nozzle with vacuum breaker and serrated tip outlet with 0.5 GPM flow control, compression cartridge with spring check, 4-arm handle, vandal resistant handle screw, and 1/2" NPSM male inlet. Certified to ASME A112.18.1 / CSA B125.1, NSF 61-Section 9, NSF 372 and ASSE 1001. Meets ADA ANSI/ICC A117.1 requirements.

Job Name _____

Model Specified _____ Quantity _____

Variations Specified _____

Date _____



Features & Benefits:

- Single hole single temperature deck mount faucet w/ polished chrome plated brass body
- Polished chrome swivel nozzle w/ vacuum breaker
- Serrated tip outlet w/ 0.5 GPM flow control & washer
- Includes lock washer to convert swivel gooseneck to rigid
- Quarter-turn Eterna compression cartridge w/ spring check
- 4-arm handle w/ VR screw & color coded index
- 1/2" NPSM male inlet
- (2) brass balls at bottom of faucet body for vandal resistance
- Material: Polished chrome plated brass body, tubular spout and handle and brass balls

Product Compliance:

- ASME A112.18.1 / CSA B125.1
- NSF 61 - Section 9
- NSF 372 (Low Lead Content)
- ANSI A117.1 (ADA)
- ASSE 1001 (VB)

Warranty: One Year (Limited)

Performance Data:

- Pressure: 20 - 125 psi [1.38 - 8.62 bar]
- Temperature: 40°F - 140°F [4.44°C - 60°C]
- Flow Rate: 0.5 [1.9 L/min] GPM [@ 60 psi [4.14 bar]



ADA Compliant



Optional Flow Disc

GPM	Model No	Optional Handles	Optional Cartridges
0.5	Standard	<input type="checkbox"/> 4" Wrist Action	<input type="checkbox"/> Quarter-Turn Cerama w/ Check Valve
1.0	<input type="checkbox"/> FD10	<input type="checkbox"/> Lever	<input type="checkbox"/> Quarter-Turn Eterna w/ Spring Check (Standard)
1.2	<input type="checkbox"/> FD12	<input type="checkbox"/> 4-Arm (Standard)	
1.5	<input type="checkbox"/> FD15		
2.2	<input type="checkbox"/> FD22		

