



T&S BRASS AND BRONZE WORKS, INC.
 2 Saddleback Cove / P.O. Box 1088
 Travelers Rest, SC 29690

Model No.
B-0972

Item No.

Travelers Rest, SC: 800-476-4103 • Simi Valley, CA: 800-423-0150 • Fax: 864-834-3518 • www.tsbrass.com

This Space for Architect/Engineer Approval

Job Name _____ Date _____

Model Specified _____ Quantity _____

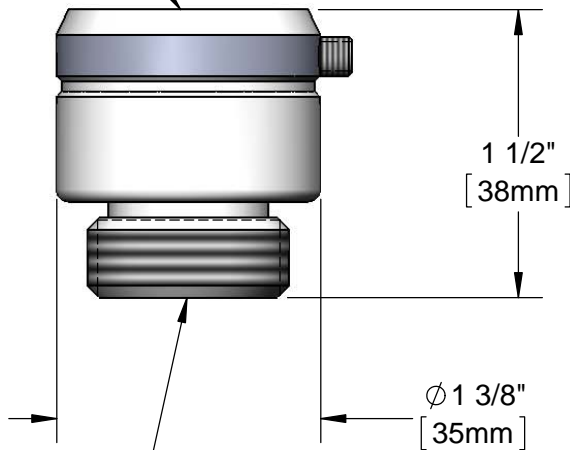
Customer/Wholesaler _____

Contractor _____

Architect/Engineer _____



3/4" Garden Hose
 Female Inlet



3/4" Garden Hose
 Male Outlet

Product Specifications:
 Chrome Plated Atmospheric Vacuum Breaker
 with 3/4" Garden Hose Female Inlet and Male Outlet

Product Compliance:
 ASME A112.18.3
 NSF 61 - Section 9
 NSF 372 (Low Lead Content)
 ASSE 1011 (VB)