



Parts and Repair Kits
B-18KNS

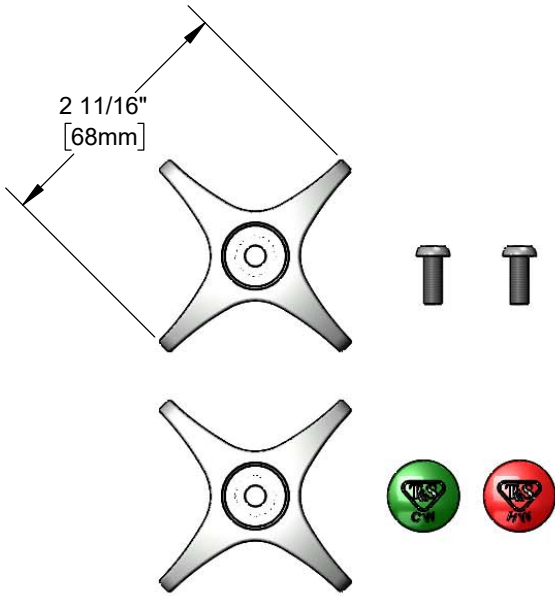
TAG:

4-Arm Handle Kit

Architect/Engineering Specifications:

Polished chrome plated 4-arm lab handles, red and green indexes and screws.

Job Name _____
 Model Specified _____ Quantity _____
 Variations Specified _____
 Date _____



Features & Benefits:

- Polished chrome plated 4-arm handles (2)
- Red "HW" and green "CW" color coded indexes for lab applications
- Handle screws (2)
- Fits all T&S branded faucets
- Material: Chrome plated metal handle

Product Compliance:

- N/A

Warranty: One Year (Limited)

Performance Data:

- N/A



T&S BRASS AND BRONZE WORKS, INC.



• 2 Saddleback Cove • Travelers Rest, SC 29690
 Ph 800-476-4103 • Fax 864-834-3518
 • Simi Valley, CA • Ph 800-423-0150 • www.tsbrass.com

Date: 03/09/18