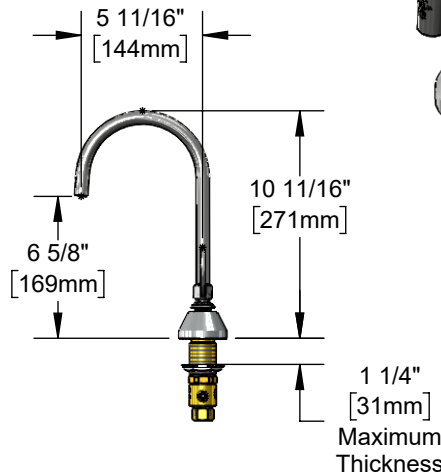
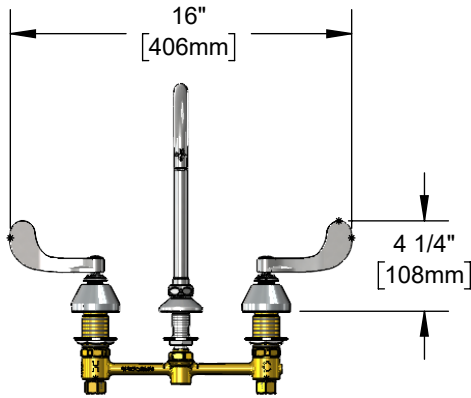




Architect/Engineering Specifications:

8" concealed deck mount mixing faucet with forged brass body, swivel/rigid gooseneck with plain end outlet, compression cartridges with spring checks, 1.2 GPM flow control, 4" wrist action handles, chrome plated escutcheons and 1/2" NPSM male inlets with coupling nuts. Certified to ASME A112.18.1/CSA B125.1, NSF 61-Section 9, NSF 372 and EPA WaterSense. Meets ADA ANSI/ICC A117.1 requirements.

Job Name _____
 Model Specified _____ Quantity _____
 Variations Specified _____
 Date _____



Features & Benefits:

- 8" EasyInstall concealed deck mount mixing faucet w/ forged brass body
- 5 11/16" swivel/rigid gooseneck w/ plain end
- Lock washer provided for rigid application
- Quarter-turn Eterna compression cartridges w/ spring checks to prevent cross flow of water
- 1.2 GPM flow control (pre-installed in gooseneck swivel)
- 4" wrist action handles w/ color coded indexes
- 1/2" NPT male inlets w/ coupling nuts
- Material: Forged brass body, polished chrome plated brass tubular spout and chrome plated metal handles & escutcheons

Product Compliance:

- ASME A112.18.1 / CSA B125.1
- NSF 61 - Section 9
- NSF 372 (Low Lead Content)
- ANSI A117.1 (ADA)
- EPA WaterSense



Warranty: One Year (Limited)

Performance Data:

- Pressure: 20 - 125 psi [1.38 - 8.62 bar]
- Temperature: 40°F - 140°F [4.44°C - 60°C]
- Flow Rate: 1.2 GPM [4.5 L/min] @ 60 psi [4.14 bar]



ADA Compliant



Optional Flow Disc

| GPM | Model No | Optional Handles |
|-----|-----------------------------------|---|
| 0.5 | <input type="checkbox"/> FD05 | <input type="checkbox"/> 4" Wrist Action (Standard) |
| 1.0 | <input type="checkbox"/> FD10 | <input type="checkbox"/> Lever |
| 1.2 | <input type="checkbox"/> Standard | <input type="checkbox"/> 4-Arm |
| 1.5 | <input type="checkbox"/> FD15 | |
| 2.2 | <input type="checkbox"/> FD22 | |

Optional Cartridges

- Quarter-Turn Cerama w/ Check Valve
- Quarter-Turn Eterna w/ Spring Check (Standard)
- Push Button Metering
- Pivot Action Metering
- Wrist Action Metering

