



**T&S BRASS AND BRONZE WORKS, INC.**  
 2 Saddleback Cove / P.O. Box 1088  
 Travelers Rest, SC 29690

Model No.  
**BL-9550-01 Series**

Item No.

Travelers Rest, SC: 800-476-4103 • Simi Valley, CA: 800-423-0150 • Fax: 864-834-3518 • www.tsbrass.com

This Space for Architect/Engineer Approval

Job Name \_\_\_\_\_ Date \_\_\_\_\_

Model Specified \_\_\_\_\_ Quantity \_\_\_\_\_

Customer/Wholesaler \_\_\_\_\_

Contractor \_\_\_\_\_

Architect/Engineer \_\_\_\_\_



BL-9550-01BLU



BL-9550-01GRN



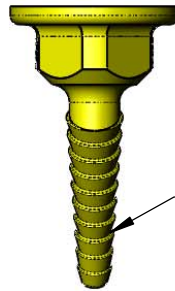
BL-9550-01ORG



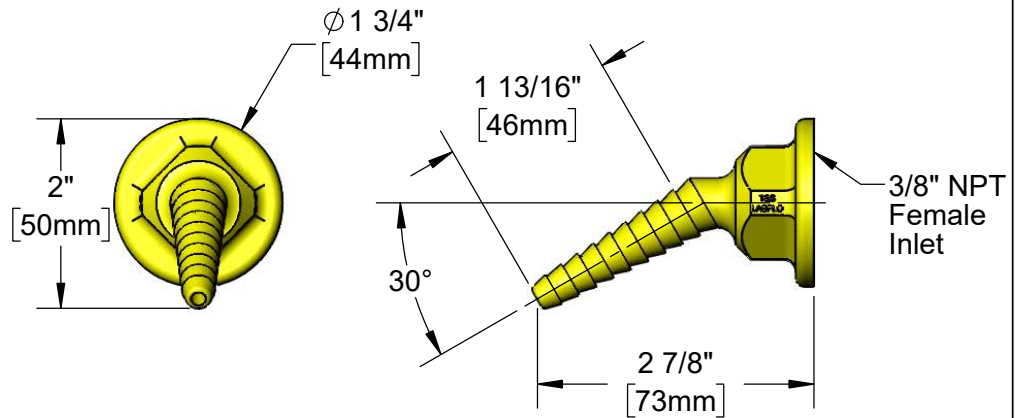
BL-9550-01WHT



BL-9550-01YEL



Serrated Tip Accepts  
 1/4" to 3/8" ID Hoses



Part No.	Color	Application
BL-9550-01BLU	Blue	Gas
BL-9550-01GRN	Green	Cold Water
BL-9550-01ORG	Orange	Air
BL-9550-01WHT	White	Purified Water (DI, Distilled, or RO)
BL-9550-01YEL	Yellow	Vacuum

Product Specifications:  
 Polypropylene Panel Flange with Serrated Tip & 3/8" NPT Female Inlet

Product Compliance:  
 ASME A112.18.1 / CSA B125.1