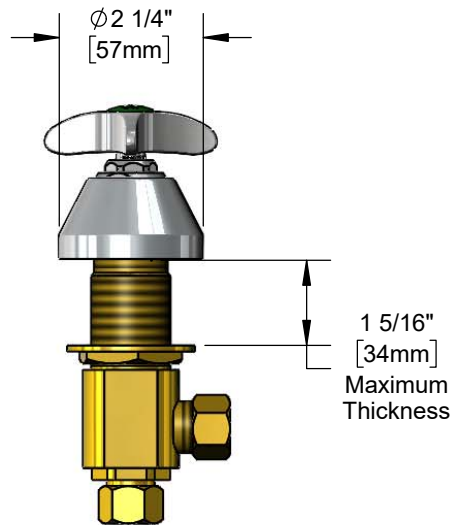
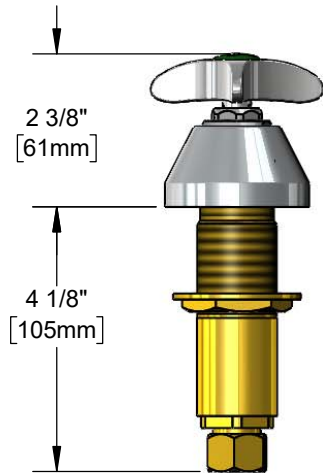




Architect/Engineering Specifications:

Concealed deck mount side body, compression cartridge with spring check, 4-arm handle, chrome plated escutcheon and 1/2" NPT male inlet. Certified to ASME A112.18.1/CSA B125.1, NSF 61-Section 9 and NSF 372. Meets ADA ANSI/ICC A117.1 requirements.

Job Name _____
 Model Specified _____ Quantity _____
 Variations Specified _____
 Date _____



Features & Benefits:

- Concealed deck mount side body, hot
- 4-arm handle w/ color coded index
- Quarter-turn Eterna compression cartridge w/ spring check to preven the cross flow of water
- 1/2" NPT male inlet with coupling nut
- Material: Brass body and chrome plated metal escutcheon & handle

Product Compliance:

- ASME A112.18.1 / CSA B125.1
- NSF 61 - Section 9
- NSF 372 (Low Lead Content)
- ANSI A117.1 (ADA)



Warranty: One Year (Limited)

Performance Data:

- Pressure: 20 - 125 psi
 - Temperature: 40 °F - 140 °F
 - Flow Rate: 11.25 GPM GPM @ 60 psi
- (Outlet Device &/or Final Configuration May Reduce Flow Rate)



ADA Compliant

