



T&S BRASS AND BRONZE WORKS, INC.
 2 Saddleback Cove / P.O. Box 1088
 Travelers Rest, SC 29690

Model No.

HG-4E-60K-FF

Item No.

Travelers Rest, SC: 800-476-4103 • Simi Valley, CA: 800-423-0150 • Fax: 864-834-3518 • www.tsbrass.com

This Space for Architect/Engineer Approval

Job Name _____ Date _____

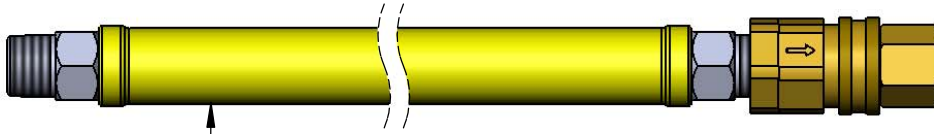
Model Specified _____ Quantity _____

Customer/Wholesaler _____

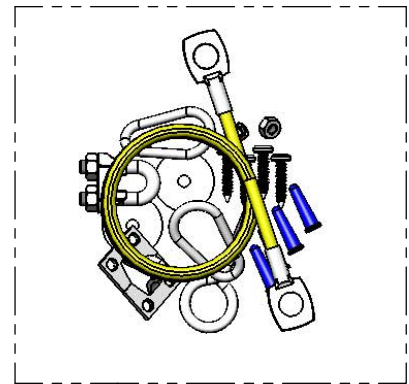
Contractor _____

Architect/Engineer _____

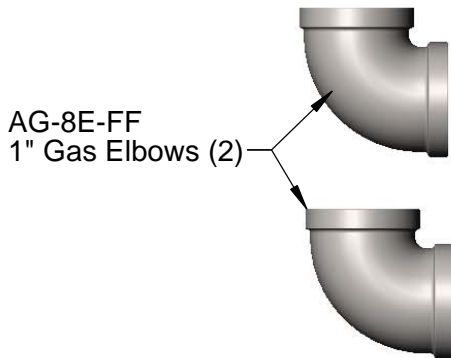
SAFE-T-LINK



1" NPT x 60" [1524mm] Coated Gas Hose w/ 1" NPT Quick Disconnect Gas Coupling



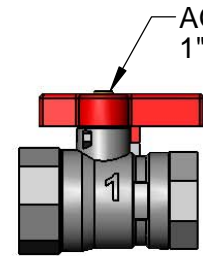
AG-RC Restraining Cable Kit



AG-8E-FF
1" Gas Elbows (2)



1" Short Nipples (2)



AG-7E
1" Ball Valve

Product Specifications:

Safe-T-Link Gas Appliance Connector: 1" x 60" Coated Gas Hose w/ 1" Quick Disconnect Gas Coupling, 1" Gas Elbows, 1" Short Nipples, 1" Ball Valve & Restraining Cable Kit

Product Compliance:

ANSI Z21.69 / CSA 6.16
 NSF 2
 NFPA 54