



T&S BRASS AND BRONZE WORKS, INC.

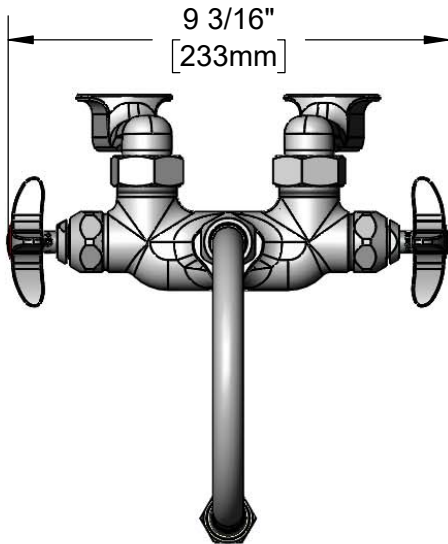
2 Saddleback Cove / P.O. Box 1088
Travelers Rest, SC 29690

Model No.

BL-5740-02

Item No.

Travelers Rest, SC: 800-476-4103 • Simi Valley, CA: 800-423-0150 • Fax: 864-834-3518 • www.tsbrass.com



ADA Compliant

This Space for Architect/Engineer Approval

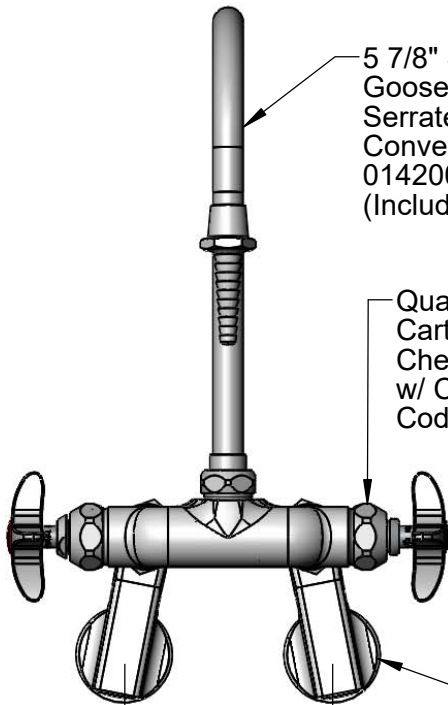
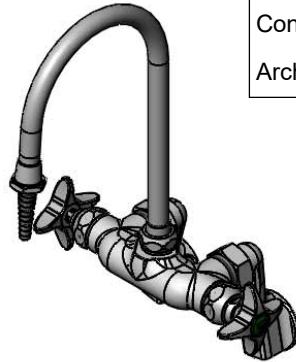
Job Name _____ Date _____

Model Specified _____ Quantity _____

Customer/Wholesaler _____

Contractor _____

Architect/Engineer _____

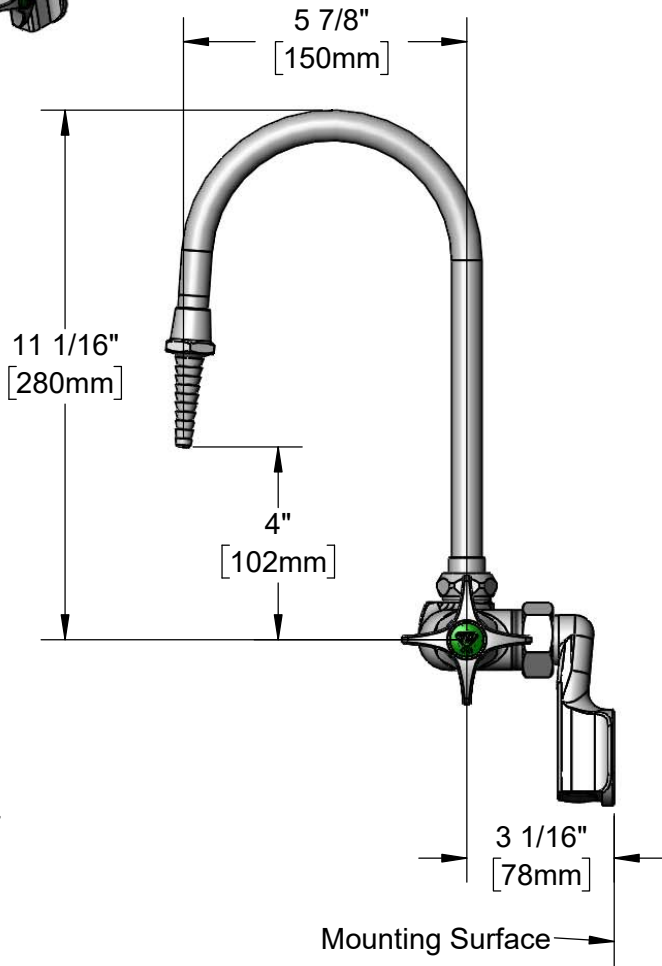


5 7/8" Swivel/Rigid
Gooseneck w/ B-0198
Serrated Tip & Washer.
Converts to Rigid w/
014200-45 Lock Washer
(Included)

Quarter-Turn Eterna
Cartridges w/ Spring
Checks & 4-Arm Handles
w/ Color Coded Indexes
Coded Indexes

Ø2" [51mm] Wall
Flange w/ 1/2" NPT
Female Inlet

Adjustable
from
2 1/4" to 8 1/4"
[57mm] to [210mm]
Below or Above Centerline



Mounting Surface

Product Specifications:

Adjustable Wall Mount Mixing Faucet, Quarter-Turn Eterna Cartridges w/ Spring Checks, 5 7/8" Swivel/Rigid Gooseneck w/ Serrated Tip, 4-Arm Lab Handles and 1/2" NPT Female Adjustable Arm Inlets

Product Compliance:

ASME A112.18.1 / CSA B125.1
NSF 61 - Section 9
NSF 372 (Low Lead Content)
ANSI A117.1 (ADA)



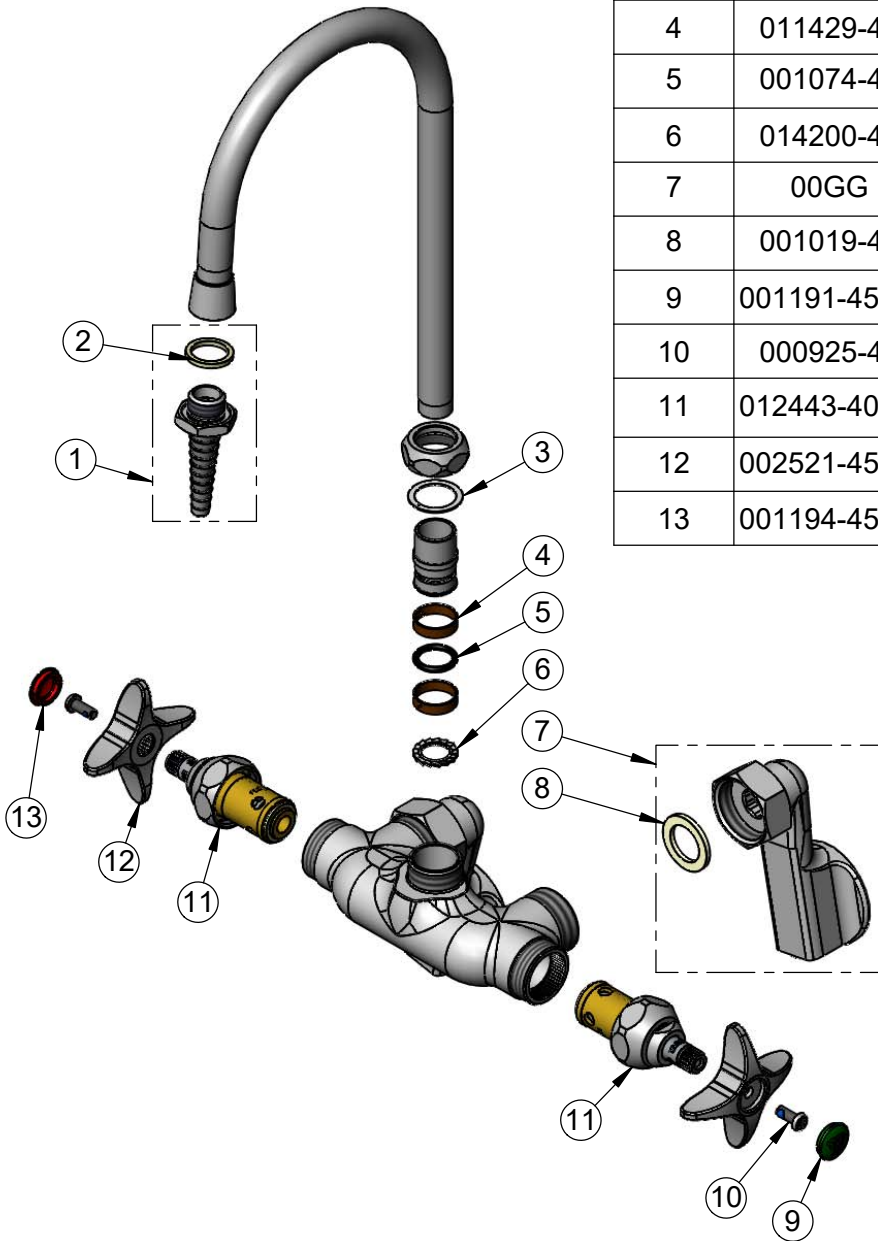
T&S BRASS AND BRONZE WORKS, INC.
 2 Saddleback Cove / P.O. Box 1088
 Travelers Rest, SC 29690

Model No.
BL-5740-02

Item No.

Travelers Rest, SC: 800-476-4103 • Simi Valley, CA: 800-423-0150 • Fax: 864-834-3518 • www.tsbrass.com

ITEM NO.	SALES NO.	DESCRIPTION
1	B-0198	Serrated Tip w/ Washer
2	001051-45	Washer
3	009538-45	Swivel Washer
4	011429-45	Swivel Sleeves (2)
5	001074-45	O-Ring
6	014200-45	Star Washer, Anti-Rotation
7	00GG	1/2" NPT Female Adjustable Arm Flange
8	001019-45	Coupling Nut Washer
9	001191-45NS	Green "CW" Lab Button Index
10	000925-45	Lab Handle Screw
11	012443-40NS	Quarter-Turn Eterna Cartridge w/ Spring Check, RTC
12	002521-45NS	4-Arm Handle (New Style)
13	001194-45NS	Red "HW" Lab Button Index



Product Specifications:
 Adjustable Wall Mount Mixing Faucet, Quarter-Turn Eterna Cartridges w/ Spring Checks, 5 7/8" Swivel/Rigid Gooseneck w/ Serrated Tip, 4-Arm Lab Handles and 1/2" NPT Female Adjustable Arm Inlets

Product Compliance:
 ASME A112.18.1 / CSA B125.1
 NSF 61 - Section 9
 NSF 372 (Low Lead Content)
 ANSI A117.1 (ADA)