



T&S BRASS AND BRONZE WORKS, INC.

2 Saddleback Cove / P.O. Box 1088
Travelers Rest, SC 29690

Model No.

B-7222-C01-PPB

Item No.

Travelers Rest, SC: 800-476-4103 • Simi Valley, CA: 800-423-0150 • Fax: 864-834-3518 • www.tsbrass.com

This Space for Architect/Engineer Approval

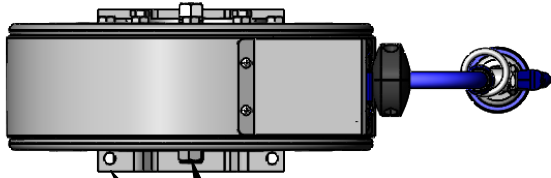
Job Name _____ Date _____

Model Specified _____ Quantity _____

Customer/Wholesaler _____

Contractor _____

Architect/Engineer _____

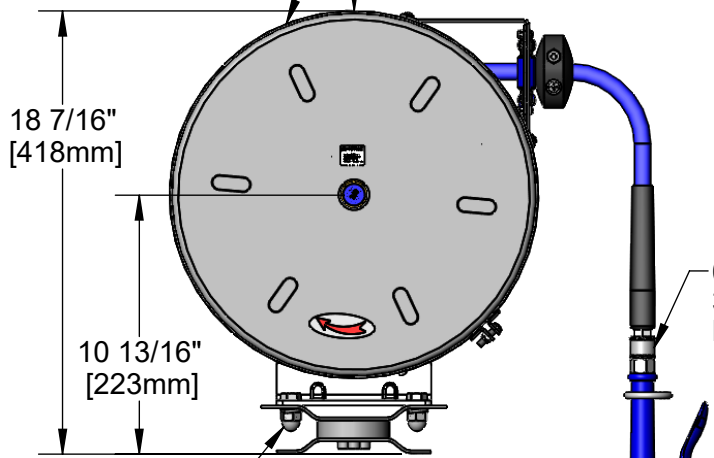
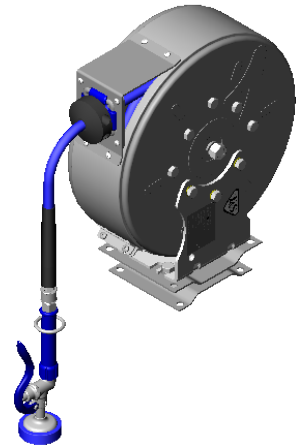


3/8" NPT Female Inlet
(Left Side of Reel)

Epoxy Coated Deck Mount
Pivot Bracket w/ 345° of
Rotation

Enclosed Epoxy
Coated Hose Reel
30' of 3/8" Hose

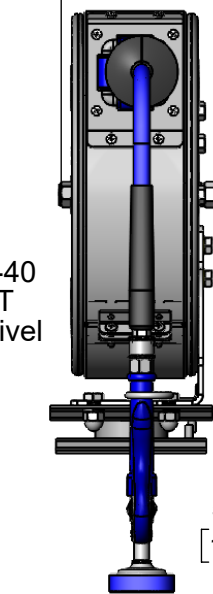
Ø 15 3/8"
[390mm]



18 7/16"
[418mm]

10 13/16"
[223mm]

6 1/2"
[164mm]



019652-40
3/8" NPT
Live Swivel

5 5/16"
[134mm]

Mounting Hole Details

Ø 1/2"
[12mm]

5 5/16"
[135mm]

6 3/8"
[163mm]

6 1/4"
[159mm]

Mounting Hardware Included
for Hose Reel to Bracket

EB-0107
High Flow
Spray Valve

Product Specifications:

3/8" x 30' Enclosed Epoxy Coated Reel, High Flow Spray Valve & 345 Degree Epoxy Coated Pivot Deck Mount Bracket w/ Mounting Hardware for Hose Reel to Bracket

Product Compliance:

NSF 61 Exempt (Non-Potable)
EPA Act 2005 Non-Compliant (PRSV)



T&S BRASS AND BRONZE WORKS, INC.

2 Saddleback Cove / P.O. Box 1088
Travelers Rest, SC 29690

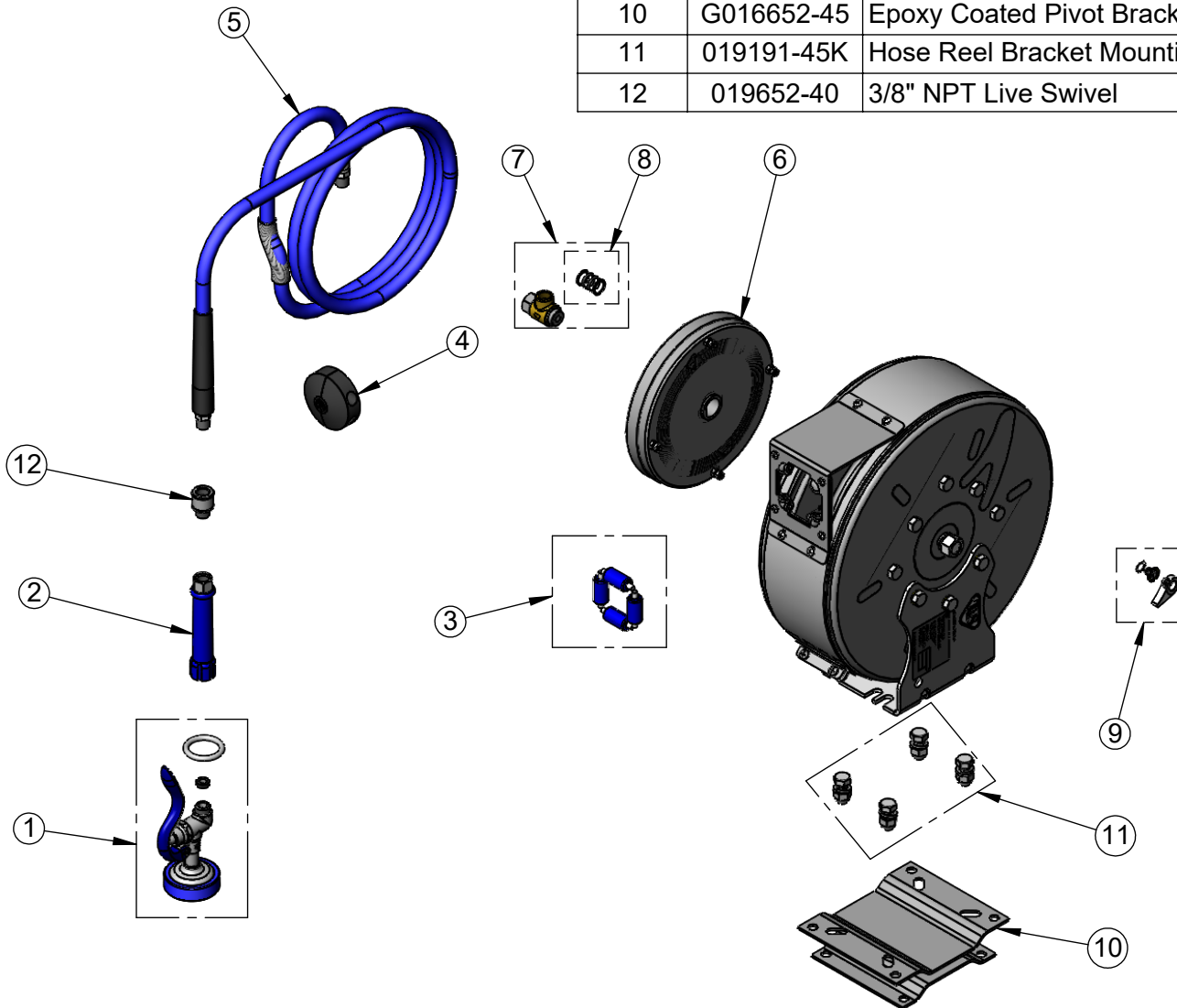
Model No.

B-7222-C01-PPB

Item No.

Travelers Rest, SC: 800-476-4103 • Simi Valley, CA: 800-423-0150 • Fax: 864-834-3518 • www.tsbrass.com

ITEM NO.	SALES NO.	DESCRIPTION
1	EB-0107	High Flow Spray Valve (Blue)
2	012504-40	Grip Handle (Blue) w/ Washer
3	014936-45	Roller Repair Kit
4	014949-45	Hose Stop Repair Kit
5	014943-45	3/8" x 30' Hose Replacement Kit
6	014933-45	Small Stainless Steel Spring
7	014946-45	3/8" Swivel Repair Kit
8	014948-45	O-Ring Replacement Kit
9	014940-45	Ratchet Repair Kit
10	G016652-45	Epoxy Coated Pivot Bracket
11	019191-45K	Hose Reel Bracket Mounting Kit
12	019652-40	3/8" NPT Live Swivel



Product Specifications:

3/8" x 30' Enclosed Epoxy Coated Reel, High Flow Spray Valve & 345 Degree Epoxy Coated Pivot Deck Mount Bracket w/ Mounting Hardware for Hose Reel to Bracket

Product Compliance:

NSF 61 Exempt (Non-Potable)
EPA Act 2005 Non-Compliant (PRSV)