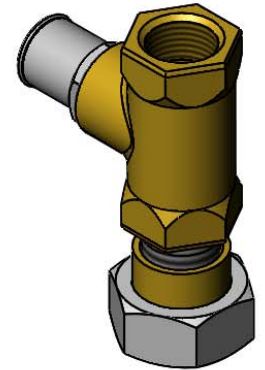
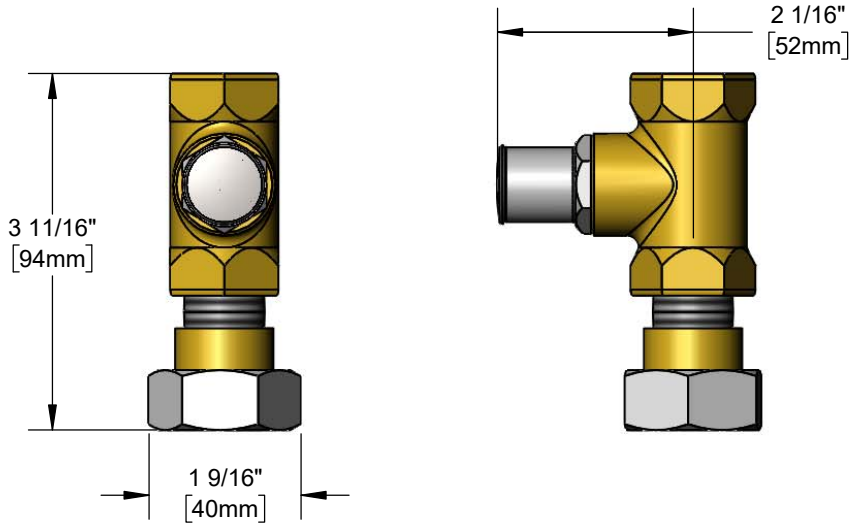




Architect/Engineering Specifications:

Unplated brass 1/2" NPT loose key supply stop with installation swivel and sealing washer. Certified to NSF 61-Section 9 and NSF 372.

Job Name _____
 Model Specified _____ Quantity _____
 Variations Specified _____
 Date _____



Features & Benefits:

- Unplated brass 1/2" NPT loose key supply stop
- 1/2" NPT female thread
- Installation swivel with sealing washer
- Material: Brass

Product Compliance:

- NSF 61 - Section 9
- NSF 372 (Low Lead Content)



Warranty: One Year (Limited)



Performance Data:

- N/A

